



brennenstuhl®



SICHERHEITSINFORMATIONEN

SAFETY INFORMATION

DE Sicherheitsinformationen	HU Biztonsági információk	LT Saugos informacija
EN Safety information	RU Информация о безопасности	LV Drošības informācija
FR Informations sur la sécurité	TR Güvenlik bilgileri	HR Sigurnosne informacije
NL Veiligheidsinformatie	FI Turvallisuustiedot	RO Informații privind siguranța
IT Informazioni sulla sicurezza	GR Πληροφορίες για την ασφάλεια	BG Информация за безопасност
SE Säkerhetsinformation	PT Informação de segurança	DK Oplysninger om sikkerhed
ES Información de seguridad	EE Ohutusalane teave	NO Sikkerhetsinformasjon
PL Informacje dotyczące bezpieczeństwa	SK Bezpečnostné informácie	UA Інформація з техніки безпеки
CZ Bezpečnostní informace	SI Varnostne informacije	AR معلومات السلامة

WWW.BRENNENSTUHL.COM

09/02/2026

brennenstuhl® D 5050 MRA
5m H07RN-F 3G1.5
220V-240V~ 50/60Hz
60W LED  max. 3200W
6700lm



IP54



Art. 1 17370 0 023/0529422/2625

Hugo Brennenstuhl GmbH & Co. KG, Seestr.1-3, D-72074 Tübingen
H.Brennenstuhl S.A.S., 4 rue de Bruxelles, F-67170 Bernolsheim
lectra technik ag, Blegistrasse 13, CH-6340 Baar
service@brennenstuhl.com

Made in China

brennenstuhl®



D 5050 MRA



D 5051 MRA



D 9050 MRA



D 9051 MRA

Scannen für detaillierte Anleitung

Scan for detailed guide

Scanner la notice d'utilisation détaillée

Scan voor gedetailleerde handleiding

DE Kurzanleitung

EN Quick guide

FR Guide de configuration rapide

NL Snelle handleiding

IT Guida veloce

SE Instruktionsguide

ES Instrucciones rápidas

PL Skrócony przewodnik

CZ Rychlý průvodce

HU Gyorstalpaló útmutató

RU Краткое руководство

TR Çabuk kılavuz

FI Pikaopastus

GR Γρήγορος οδηγός

PT Guia depressa

EE Kiire juhend

SK Rýchly sprievodca

SI Kratek vodnik

LT Trumpasis vadovas

LV Ātrā rokasgrāmata

HR Vodič za brzi početak

RO Ghid de scurtă durată

BG Бързо ръководство

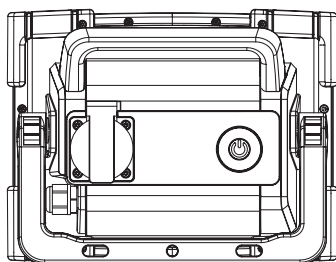
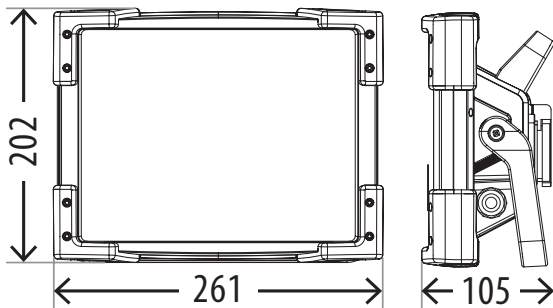
DK Hurtig guide

NO Hurtigveiledning

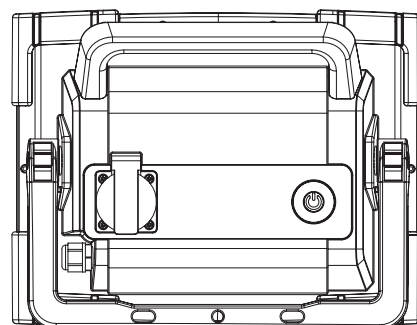
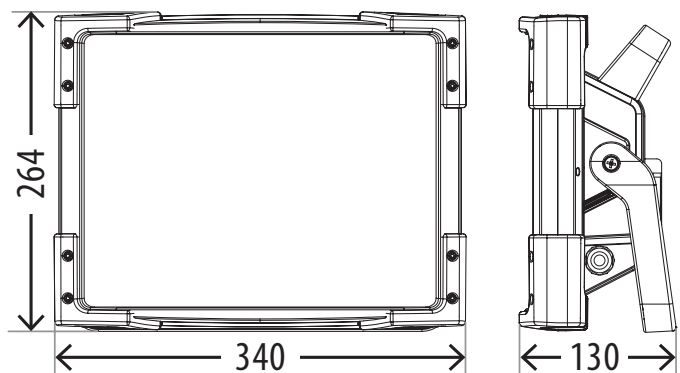
UA Короткий посібник

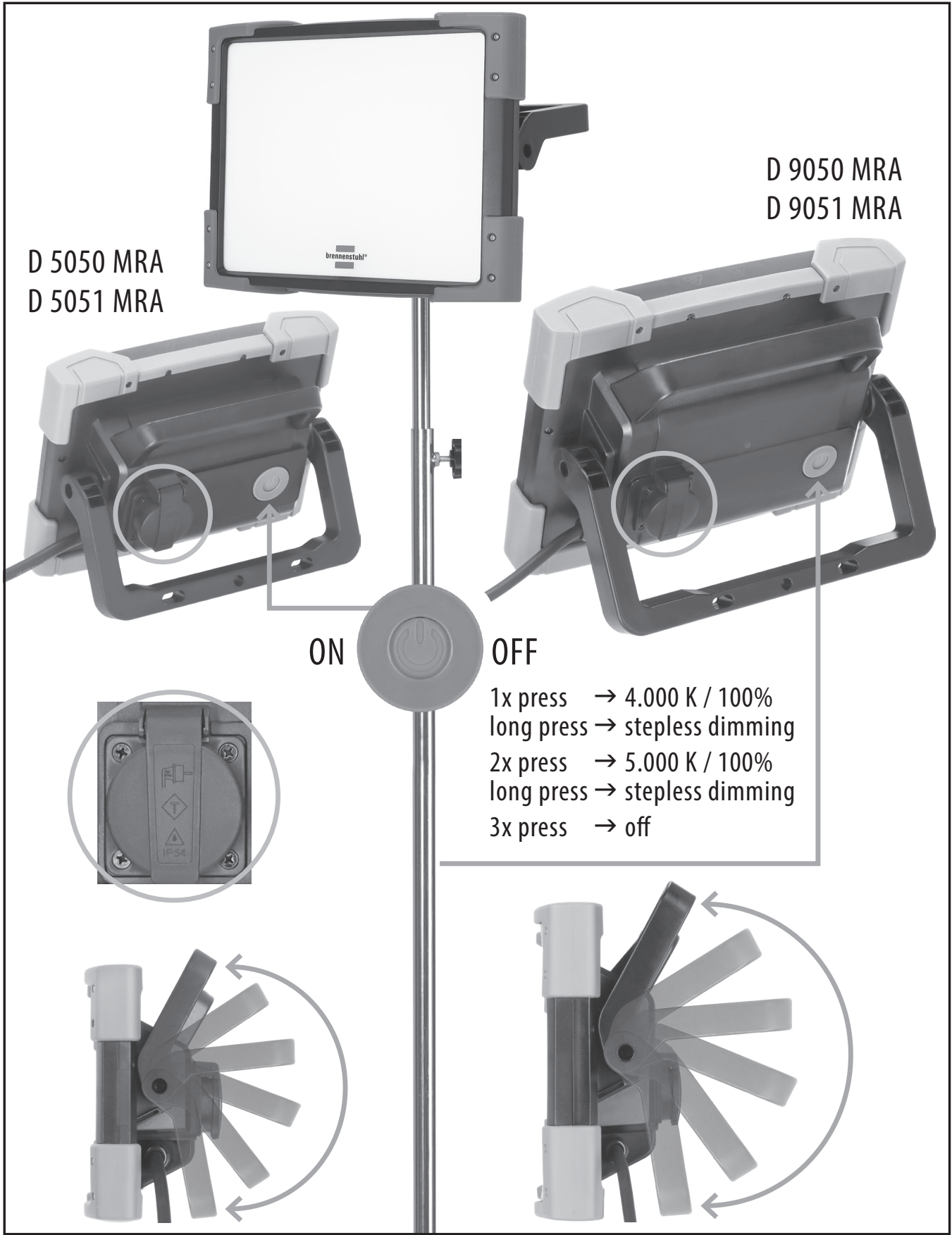
AR دليل الإرشادات السريعة

D 5050 MRA
D 5051 MRA



D 9050 MRA
D 9051 MRA





D 5050 MRA
D 5051 MRA

D 9050 MRA
D 9051 MRA

ON OFF

- 1x press → 4.000 K / 100%
- long press → stepless dimming
- 2x press → 5.000 K / 100%
- long press → stepless dimming
- 3x press → off



Hugo Brennenstuhl GmbH & Co. KG · Seestr. 1-3 · D-72074 Tübingen
 lectra technik ag · Blegistrasse 13 · CH-6340 Baar | H. Brennenstuhl S.A.S. · 4 rue de Bruxelles · F-67170 Bernolsheim
 Brennenstuhl UK Ltd. · No 1 Royal Exchange · London EC3V 3DG, UK
www.brennenstuhl.com · service.brennenstuhl.com

0534819/2725

brennenstuhl®

DE SICHERHEITSHINWEISE

⚠ Achtung: Lesen Sie vor dem Gebrauch des Produkts diese Gebrauchsanweisung bitte aufmerksam durch und bewahren Sie sie anschließend gut auf!

• Überprüfen Sie vor jeder Benutzung das Produkt auf etwaige Beschädigungen.
Benutzen Sie das Produkt niemals, wenn Sie irgendwelche Beschädigungen feststellen. Wenden Sie sich in diesem Fall an eine Elektrofachkraft oder an die angegebene Serviceadresse des Herstellers.

⚠ Bei Nichtbeachtung besteht Lebensgefahr durch elektrischen Schlag!

• Halten Sie Kinder von dem Produkt fern. Kinder können die Gefahr durch den elektrischen Strom nicht einschätzen.
• Verwenden Sie das Produkt nicht in explosionsgefährdeter Umgebung. Lebensgefahr!

⚠ 0-x m Bei Unterschreitung des Mindestabstands können beleuchtete Gegenstände überhitzen. Die Oberflächen von Strahlern können sich erhitzen.
• Ist die äußere Stromleitung der Leuchte nicht tauschbar, so muss die Leuchte im Falle einer defekten oder beschädigten Stromleitung entsorgt werden.

STATIONÄR

• Die Installation und Wartung des Produkts muss durch eine qualifizierte Elektrofachkraft erfolgen.

• Elektroinstallationen dürfen nur unter Einhaltung der Sicherheitsvorschriften (VDE 0100 für Deutschland) durchgeführt werden.

• Zum Anschluss muss eine VDE-zertifizierte Anschlussleitung verwendet werden.

• Das Produkt muss ordnungsgemäß geerdet werden (bei Schutzklasse I).

• Schalten Sie vor der Installation stets die Spannungsversorgung ab – Vorsicht elektrischer Schlag.

• Beachten Sie die empfohlenen Montagehöhen (siehe Montage).

• Um die Strahlungsgefahr zu vermeiden, müssen die flexiblen Kabel, welche mit dieser Leuchte verbunden sind, an der Wand befestigt werden, sofern sich die Kabel in Reichweite der Arme befinden und der Strahler fest an der Wand montiert wird.

MOBIL / AKKU

Verletzungsgefahr durch Brand, Explosion und Verätzung!

• Verwenden Sie zum Aufladen der Akkus nur das mitgelieferte Netzteil / Kabel oder eine geprüfte USB-Stromquelle. Die Verwendung anderer Netzteile kann zur Beschädigung der Akkus oder zur Explosion führen!

• Wenn die Anschlussbox beschädigt wird, muss sie durch eine qualifizierte Fachkraft ersetzt werden.

• Lagern und laden Sie Akkus nicht im Außenbereich, nicht in feuchten Räumen sowie nicht an Orten, an denen sehr hohe Temperaturen zu erwarten sind (bspw. im Gartenhaus oder hinter der Windschutzscheibe im Auto).

• Tiefentladung, unsachgemäßes Laden sowie mechanische Beschädigung können zur Erhitzung der Li-Ionen-Akkus führen. Dabei austretende Flüssigkeiten und Dämpfe können zu Verätzungen durch Verätzung führen.

• Tiefentladung vermeiden: Bei längerem Nichtgebrauch Akku aus dem Gerät nehmen.

• Akkus nicht kurzschließen.

• Akkus niemals Temperaturen über 45 °C aussetzen!

• Akkus ausschließlich mit dem dafür zugelassenen Ladegerät aufladen. Akkus niemals unbeaufsichtigt laden.

• Akkus visuell auf Beschädigung und Dichtigkeit überprüfen.

• Nur intakte und unbeschädigte Akkus laden. Aufgeladene und beschädigte Akkus müssen fachgerecht entsorgt werden.

• Beschädigte Akkus nicht direkt mit der Haut berühren, sondern sofort unter Verwendung geeigneter Handschuhe fachgerecht entsorgen. Aus Akkus austretende Gase nicht einatmen.

• Akkus nicht öffnen oder beschädigen, in Feuer oder Wasser werfen, direkt über Feuchtigkeits- oder Wärmequellen ablegen und nie direkter Sonnenbestrahlung aussetzen.

Beachten Sie die Warnhinweise und Symbole auf Ihrem Produkt!

	Achtung! Gefahr durch elektrischen Schlag
	Heiße Oberfläche
	LED der Risikoklasse 2 Bitte niemals direkt in das Licht schauen.

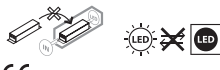
	Eine zerstörte Schutzabdeckung muss vor weiterer Benutzung des Produkts durch eine original Brennenstuhl® Schutzabdeckung ersetzt werden. Ohne Symbol auf dem Produkt: Eine zerstörte Schutzabdeckung kann nicht ersetzt werden. Das Produkt muss entsorgt werden.
	Nicht geeignet für den Betrieb mit externen Dimmern.
	Mindestabstand beachten.
	Außerhalb der Reichweite von Kindern aufbewahren.
	Produkt nicht ins Wasser werfen.
	Produkt nicht ins Feuer werfen.
	Warnhinweise lesen.

REINIGUNG

Trennen Sie das Produkt vor der Reinigung von der Netzspannung. Verwenden Sie keine Lösungsmittel, ätzende Reinigungsmittel oder ähnliches. Benutzen Sie zur Reinigung nur ein trockenes oder leicht angefeuchtetes Tuch.

WARTUNG

ACHTUNG: Die LED-Leuchte enthält keine Komponenten, die gewartet werden müssen. Die Lichtquelle dieser Leuchte ist nicht ersetzbar. Wenn die Lichtquelle Ihr Lebensende erreicht hat, ist die gesamte Leuchte zu ersetzen. Die Leuchte darf nicht geöffnet werden.



CE EU-Konformitätserklärung

Die EU-Konformitätserklärung ist beim Hersteller hinterlegt.

ENTSORGUNG

Bitte die beiliegenden Informationen zum Elektro- und Elektronikgeräteeinsatz – 3- ElektroG3 beachten.

Für weitere Informationen empfehlen wir den Bereich Service/FAQ's auf unserer Homepage www.brennenstuhl.com.

EN SAFETY INSTRUCTIONS

⚠ Attention: Before using the product, please read these instructions for use carefully and then keep them in a safe place!

• Before use each use, check the product for any damage.
• Never use the product if you notice any damage. In this case, contact a qualified electrician or the manufacturer's service address.

⚠ Non-observance may result in danger to life due to electric shock!

• Keep children away from the product. Children cannot assess the danger posed by the electric current.

• Do not use the product in an explosive environment, danger to life!

⚠ 0-x m If the minimum distance is not maintained, illuminated objects can overheat.
The surfaces of spotlights can heat up.

• If the outer power supply line of the luminaire is not replaceable, the luminaire must be disposed of in the event of a defective or damaged power supply line.

STATIONÄR

• The installation and maintenance of the spotlight must be carried out by a qualified electrician.

• Electrical installations may only be carried out in compliance with the safety regulations (VDE 0100 for Germany).

• A VDE-certified connection cable must be used for connection.

• The spotlight must be properly earthed (for protection class I).

• Always switch off the power supply before installation – caution electric shock.

• Observe the recommended mounting heights (see Mounting).

• To avoid the risk of strangulation, the flexible cables connected to this luminaire must be fixed to the wall, provided that the cables are within reach of the arms and the luminaire is firmly mounted on the wall.

MOBILE / RECHARGEABLE BATTERY

Risk of injury from fire, explosion and chemical burns!

• Only use the supplied mains adapter / cable or an approved USB power source to charge the batteries.

• The use of other power supplies may damage the batteries or cause an explosion!

• If the connection box is damaged, it must be replaced by a qualified specialist.

• Do not store and charge batteries outdoors, in damp rooms or in places where very high temperatures are to be expected (e.g. in the garden shed or behind the windshield in the car).

• Deep discharge, improper charging and mechanical damage can cause the Li-Ion batteries to heat up. Escaping liquids and vapors can cause injuries due to burns.

• Avoid deep discharge: Remove the battery from the device if it will not be used for a longer period of time.

• Do not short-circuit the batteries.

• Never expose the rechargeable batteries to temperatures above 45 °C!

• Only charge the rechargeable batteries with the charger approved for this purpose. Never charge the batteries without supervision.

• Do not inhale gases escaping from the batteries.

• Visually check the batteries for damage and leaks. Only charge intact and undamaged batteries. Inflated and damaged rechargeable batteries must be disposed of properly.

• Do not touch damaged batteries directly with your skin, but dispose of them properly immediately using suitable gloves.

• Do not inhale gases escaping from the batteries.

• Do not open or damage battery batteries, dispose of them in fire or water, place them directly above sources of moisture or heat and never expose them to direct sunlight.

• Do not touch damaged batteries directly with your skin, but dispose of them properly immediately using suitable gloves.

• Do not open or damage battery batteries, dispose of them in fire or water, place them directly above sources of moisture or heat and never expose them to direct sunlight.

• Do not touch damaged batteries directly with your skin, but dispose of them properly immediately using suitable gloves.

• Do not open or damage battery batteries, dispose of them in fire or water, place them directly above sources of moisture or heat and never expose them to direct sunlight.

• Do not touch damaged batteries directly with your skin, but dispose of them properly immediately using suitable gloves.

• Do not open or damage battery batteries, dispose of them in fire or water, place them directly above sources of moisture or heat and never expose them to direct sunlight.

• Do not touch damaged batteries directly with your skin, but dispose of them properly immediately using suitable gloves.

• Do not open or damage battery batteries, dispose of them in fire or water, place them directly above sources of moisture or heat and never expose them to direct sunlight.

• Do not touch damaged batteries directly with your skin, but dispose of them properly immediately using suitable gloves.

• Do not open or damage battery batteries, dispose of them in fire or water, place them directly above sources of moisture or heat and never expose them to direct sunlight.

• Do not touch damaged batteries directly with your skin, but dispose of them properly immediately using suitable gloves.

• Do not open or damage battery batteries, dispose of them in fire or water, place them directly above sources of moisture or heat and never expose them to direct sunlight.

• Do not touch damaged batteries directly with your skin, but dispose of them properly immediately using suitable gloves.

• Do not open or damage battery batteries, dispose of them in fire or water, place them directly above sources of moisture or heat and never expose them to direct sunlight.

• Do not touch damaged batteries directly with your skin, but dispose of them properly immediately using suitable gloves.

• Do not open or damage battery batteries, dispose of them in fire or water, place them directly above sources of moisture or heat and never expose them to direct sunlight.

• Do not touch damaged batteries directly with your skin, but dispose of them properly immediately using suitable gloves.

• Do not open or damage battery batteries, dispose of them in fire or water, place them directly above sources of moisture or heat and never expose them to direct sunlight.

• Do not touch damaged batteries directly with your skin, but dispose of them properly immediately using suitable gloves.

• Do not open or damage battery batteries, dispose of them in fire or water, place them directly above sources of moisture or heat and never expose them to direct sunlight.

• Do not touch damaged batteries directly with your skin, but dispose of them properly immediately using suitable gloves.

• Do not open or damage battery batteries, dispose of them in fire or water, place them directly above sources of moisture or heat and never expose them to direct sunlight.

• Do not touch damaged batteries directly with your skin, but dispose of them properly immediately using suitable gloves.

• Do not open or damage battery batteries, dispose of them in fire or water, place them directly above sources of moisture or heat and never expose them to direct sunlight.

• Do not touch damaged batteries directly with your skin, but dispose of them properly immediately using suitable gloves.

• Do not open or damage battery batteries, dispose of them in fire or water, place them directly above sources of moisture or heat and never expose them to direct sunlight.

• Do not touch damaged batteries directly with your skin, but dispose of them properly immediately using suitable gloves.

• Do not open or damage battery batteries, dispose of them in fire or water, place them directly above sources of moisture or heat and never expose them to direct sunlight.

• Do not touch damaged batteries directly with your skin, but dispose of them properly immediately using suitable gloves.

• Do not open or damage battery batteries, dispose of them in fire or water, place them directly above sources of moisture or heat and never expose them to direct sunlight.

• Do not touch damaged batteries directly with your skin, but dispose of them properly immediately using suitable gloves.

• Do not open or damage battery batteries, dispose of them in fire or water, place them directly above sources of moisture or heat and never expose them to direct sunlight.

• Do not touch damaged batteries directly with your skin, but dispose of them properly immediately using suitable gloves.

• Do not open or damage battery batteries, dispose of them in fire or water, place them directly above sources of moisture or heat and never expose them to direct sunlight.

• Do not touch damaged batteries directly with your skin, but dispose of them properly immediately using suitable gloves.

• Do not open or damage battery batteries, dispose of them in fire or water, place them directly above sources of moisture or heat and never expose them to direct sunlight.

• Do not touch damaged batteries directly with your skin, but dispose of them properly immediately using suitable gloves.

• Do not open or damage battery batteries, dispose of them in fire or water, place them directly above sources of moisture or heat and never expose them to direct sunlight.

• Do not touch damaged batteries directly with your skin, but dispose of them properly immediately using suitable gloves.

• Do not open or damage battery batteries, dispose of them in fire or water, place them directly above sources of moisture or heat and never expose them to direct sunlight.

• Do not touch damaged batteries directly with your skin, but dispose of them properly immediately using suitable gloves.

• Do not open or damage battery batteries, dispose of them in fire or water, place them directly above sources of moisture or heat and never expose them to direct sunlight.

• Do not touch damaged batteries directly with your skin, but dispose of them properly immediately using suitable gloves.

• Do not open or damage battery batteries, dispose of them in fire or water, place them directly above sources of moisture or heat and never expose them to direct sunlight.

• Do not touch damaged batteries directly with your skin, but dispose of them properly immediately using suitable gloves.

• Do not open or damage battery batteries, dispose of them in fire or water, place them directly above sources of moisture or heat and never expose them to direct sunlight.

• Do not touch damaged batteries directly with your skin, but dispose of them properly immediately using suitable gloves.

• Do not open or damage battery batteries, dispose of them in fire or water, place them directly above sources of moisture or heat and never expose them to direct sunlight.

• Do not touch damaged batteries directly with your skin, but dispose of them properly immediately using suitable gloves.

• Do not open or damage battery batteries, dispose of them in fire or water, place them directly above sources of moisture or heat and never expose them to direct sunlight.

• Do not touch damaged batteries directly with your skin, but dispose of them properly immediately using suitable gloves.

• Do not open or damage battery batteries, dispose of them in fire or water, place them directly above sources of moisture or heat and never expose them to direct sunlight.

• Do not touch damaged batteries directly with your skin, but dispose of them properly immediately using suitable gloves.

• Do not open or damage battery batteries, dispose of them in fire or water, place them directly above sources of moisture or heat and never expose them to direct sunlight.

• Do not touch damaged batteries directly with your skin, but dispose of them properly immediately using suitable gloves.

• Do not open or damage battery batteries, dispose of them in fire or water, place them directly above sources of moisture or heat and never expose them to direct sunlight.

• Do not touch damaged batteries directly with your skin, but dispose of them properly immediately using suitable gloves.

• Do not open or damage battery batteries, dispose of them in fire or water, place them directly above sources of moisture or heat and never expose them to direct sunlight.

• Do not touch damaged batteries directly with your skin, but dispose of them properly immediately using suitable gloves.

• Do not open or damage battery batteries, dispose of them in fire or water, place them directly above sources of moisture or heat and never expose them to direct sunlight.

• Do not touch damaged batteries directly with your skin, but dispose of them properly immediately using suitable gloves.

• Do not open or damage battery batteries, dispose of them in fire or water, place them directly above sources of moisture or heat and never expose them to direct sunlight.

• Do not touch damaged batteries directly with your skin, but dispose of them properly immediately using suitable gloves.

• Do not open or damage battery batteries, dispose of them in fire or water, place them directly above sources of moisture or heat and never expose them to direct sunlight.

• Do not touch damaged batteries directly with your skin, but dispose of them properly immediately using suitable gloves.

• Do not open or damage battery batteries, dispose of them in fire or water, place them directly above sources of moisture or heat and never expose them to direct sunlight.

• Do not touch damaged batteries directly with your skin, but dispose of them properly immediately using suitable gloves.

• Do not open or damage battery batteries, dispose of them in fire or water, place them directly above sources of moisture or heat and never expose them to direct sunlight.

• Do not touch damaged batteries directly with your skin, but dispose of them properly immediately using suitable gloves.

• Do not open or damage battery batteries, dispose of them in fire or water, place them directly above sources of moisture or heat and never expose them to direct sunlight.

• Do not touch damaged batteries directly with your skin, but dispose of them properly immediately using suitable gloves.

• Do not open or damage battery batteries, dispose of them in fire or water, place them directly above sources of moisture or heat and never expose them to direct sunlight.

• Do not touch damaged batteries directly with your skin, but dispose of them properly immediately using suitable gloves.

• Do not open or damage battery batteries, dispose of them in fire or water, place them directly above sources of moisture or heat and never expose them to direct sunlight.

• Do not touch damaged batteries directly with your skin, but dispose of them properly immediately using suitable gloves.

En cas de non-respect, il y a danger de mort par électrocution!

• Tenez les enfants éloignés du produit. Les enfants ne peuvent pas évaluer le danger que représente le courant électrique.

• N'utilisez pas le produit dans un environnement explosif, danger de mort!

• Si la distance minimale n'est pas respectée, les objets éclairés peuvent surchauffer.

Les surfaces des projecteurs peuvent s'échauffer.

• Si le câble électrique extérieur du luminaire n'est pas remplaçable, le luminaire doit être mis au rebut en cas de câble électrique défectueux ou endommagé.

• Respectez les hauteurs de montage recommandées (voir Montage).

• Pour éviter tout risque de strangulation, les câbles flexibles reliés à ce luminaire doivent être fixés au mur, à condition que les câbles soient à portée des bras et que le luminaire soit solidement fixé au mur.

• Pour recharger les batteries, utilisez uniquement le bloc d'alimentation / câble fourni ou une source d'alimentation USB homologuée.

• L'utilisation d'autres blocs d'alimentation peut endommager les batteries ou provoquer une explosion!

• Si le boîtier de connexion est endommagé, il doit être remplacé par un professionnel qualifié.

• Ne stockez pas et ne chargez pas les batteries à l'extérieur, dans des pièces humides ou à des endroits où des températures très élevées sont attendues (par exemple dans un abri de jardin ou derrière le pare-brise d'une voiture).

• Une décharge totale, une charge non conforme et des dommages mécaniques peuvent entraîner un échauffement des batteries Li-Ion. Les liquides et les vapeurs qui s'en échappent peuvent provoquer des blessures par brûlure.

• Éviter toute décharge profonde: Retirer la batterie de l'appareil en cas de non-utilisation prolongée.

• Ne pas ouvrir ou endommager les accumulateurs, les jeter dans le feu ou dans l'eau, les déposer directement sur des sources d'humidité ou de chaleur et ne jamais les exposer directement aux rayons du soleil.

• Ne jamais exposer les accumulateurs à des températures supérieures à 45 °C!

• Ne charger les accumulateurs qu'avec le chargeur autorisé à cet effet. Ne jamais charger les accumulateurs sans surveillance.

• Vérifier visuellement que les accumulateurs ne sont pas endommagés et ne présentent pas de fuites. Ne charger que des batteries intactes et non endommagées. Les accumulateurs gonflés et endommagés doivent être éliminés de manière appropriée.

• Ne pas toucher les batteries endommagées directement avec la peau, mais les éliminer immédiatement de manière appropriée en utilisant des gants appropriés. Ne pas inhaler les gaz qui s'échappent des accumulateurs.

• Ne pas ouvrir ou endommager les accumulateurs, les jeter dans le feu ou dans l'eau, les déposer directement sur des sources d'humidité ou de chaleur et ne jamais les exposer directement aux rayons du soleil.

• Ne pas ouvrir ou endommager les accumulateurs, les jeter dans le feu ou dans l'eau, les déposer directement sur des sources d'humidité ou de chaleur et ne jamais les exposer directement aux rayons du soleil.

• Ne pas ouvrir ou endommager les accumulateurs, les jeter dans le feu ou dans l'eau, les déposer directement sur des sources d'humidité ou de chaleur et ne jamais les exposer directement aux rayons du soleil.

• Ne pas ouvrir ou endommager les accumulateurs, les jeter dans le feu ou dans l'eau, les déposer directement sur des sources d'humidité ou de chaleur et ne jamais les exposer directement aux rayons du soleil.

• Ne pas ouvrir ou endommager les accumulateurs, les jeter dans le feu ou dans l'eau, les déposer directement sur des sources d'humidité ou de chaleur et ne jamais les exposer directement aux rayons du soleil.

• Ne pas ouvrir ou endommager les accumulateurs, les jeter dans le feu ou dans l'eau, les déposer directement sur des sources d'humidité ou de chaleur et ne jamais les exposer directement aux rayons du soleil.

• Ne pas ouvrir ou endommager les accumulateurs, les jeter dans le feu ou dans l'eau, les déposer directement sur des sources d'humidité ou de chaleur et ne jamais les exposer directement aux rayons du soleil.

• Ne pas ouvrir ou endommager les accumulateurs, les jeter dans le feu ou dans l'eau, les déposer directement sur des sources d'humidité ou de chaleur et ne jamais les exposer directement aux rayons du soleil.

• Ne pas ouvrir ou endommager les accumulateurs, les jeter dans le feu ou dans l'eau, les déposer directement sur des sources d'humidité ou de chaleur et ne jamais les exposer directement aux rayons du soleil.

• Ne pas ouvrir ou endommager les accumulateurs, les jeter dans le feu ou dans l'eau, les déposer directement sur des sources d'humidité ou de chaleur et ne jamais les exposer directement aux rayons du soleil.

• Ne pas ouvrir ou endommager les accumulateurs, les jeter dans le feu ou dans l'eau, les déposer directement sur des sources d'humidité ou de chaleur et ne jamais les exposer directement aux rayons du soleil.

• Ne pas ouvrir ou endommager les accumulateurs, les jeter dans le feu ou dans l'eau, les déposer directement sur des sources d'humidité ou de chaleur et ne jamais les exposer directement aux rayons du soleil.

• Ne pas ouvrir ou endommager les accumulateurs, les jeter dans le feu ou dans l'eau, les déposer directement sur des sources d'humidité ou de chaleur et ne jamais les exposer directement aux rayons du soleil.

• Ne pas ouvrir ou endommager les accumulateurs, les jeter dans le feu ou dans l'eau, les déposer directement sur des sources d'humidité ou de chaleur et ne jamais les exposer directement aux rayons du soleil.

• Ne pas ouvrir ou endommager les accumulateurs, les jeter dans le feu ou dans l'eau, les déposer directement sur des sources d'humidité ou de chaleur et ne jamais les exposer directement aux rayons du soleil.

• Ne pas ouvrir ou endommager les accumulateurs, les jeter dans le feu ou dans l'eau, les déposer directement sur des sources d'humidité ou de chaleur et ne jamais les exposer directement aux rayons du soleil.

• Ne pas ouvrir ou endommager les accumulateurs, les jeter dans le feu ou dans l'eau, les déposer directement sur des sources d'humidité ou de chaleur et ne jamais les exposer directement aux rayons du soleil.

ISTRUZIONI DI SICUREZZA

Attenzione: Prima di utilizzare il prodotto, leggere attentamente le presenti istruzioni per l'uso e conservarle in un luogo sicuro!

• Prima di ogni utilizzo, controllare che il prodotto non presenti danni.

Non utilizzare mai il prodotto se si notano danni. In questo caso, contattare un elettricista qualificato o il servizio di assistenza del produttore.

Attenzione: Non comportare pericolo di vita a causa di scosse elettriche!

• Tenere i bambini lontani dal prodotto. I bambini non sono in grado di valutare il pericolo rappresentato dalla corrente elettrica.

• Non utilizzare il prodotto in un ambiente esplosivo, pericolo di vita!

• Se non si rispetta la distanza minima, gli oggetti illuminati possono surriscaldarsi.

• Le superfici degli apparecchi di illuminazione possono riscaldarsi.

• Se il cavo di alimentazione esteso della lampada non può essere sostituito, l'apparecchio deve essere smaltito in caso di cavo di alimentazione difettoso o danneggiato.

STAZIONARIO

• L'installazione e la manutenzione del prodotto devono essere eseguite da uno elettricista qualificato.

• Le installazioni elettriche possono essere eseguite solo in conformità alle norme di sicurezza (VDE 0100 per la Germania).

• Per il collegamento è necessario utilizzare un cavo di collegamento certificato VDE.

• Il prodotto deve essere correttamente collegato a terra (per la classe di protezione II).

• Disattivare sempre l'alimentazione prima dell'installazione - pericolo di scosse elettriche.

• Rispettare le altezze di montaggio consigliate (vedere Montaggio).

• Per evitare il rischio di strangolamento, i cavi flessibili collegati a questa luce devono essere fissati alla parete, a condizione che i cavi siano alla portata delle braccia e che la luce sia saldamente montata sulla parete.

BATTERIA MOBILE/ RICARICABILE

Rischio di lesioni da incendio, esplosione e ustioni chimiche!

• Per caricare le batterie, utilizzare esclusivamente l'adattatore di rete. Il cavo in dotazione è una fonte di alimentazione USB approvata.

• Le diode di altri alimentatori può danneggiare le batterie o causare un'esplosione!

• Se la scatola di giunzione è danneggiata, deve essere sostituita da un professionista qualificato.

• Non conservare o caricare le batterie all'aperto, in locali umidi o in luoghi in cui si prevedono temperature molto elevate (ad esempio, in un capanno di legno o dietro il parabrezza di un'auto).

• Scariche profonde, carica impropria e danni meccanici possono causare il riscaldamento delle batterie agli ioni di litio. La fuoriuscita di liquidi e vapori può causare lesioni dovute a ustioni.

• Evitare lo scaricamento profondo: Rimuovere la batteria dal dispositivo se non viene utilizzata per lungo tempo.

• Non cortocircuitare le batterie.

• Non esporre mai le batterie a temperature superiori a 45 °C

• Caricare le batterie solo con il caricabatterie approvato. Non caricare mai le batterie senza sorveglianza.

• Controllare visivamente che le batterie non presentino danni o perdite. Caricare solo batterie intatte e non danneggiate. Le batterie gonfie o danneggiate devono essere smaltite correttamente.

• Non toccare direttamente con la pelle le batterie danneggiate, ma smaltire subito in modo corretto utilizzando guanti adatti. Non inalare i gas che fuoriescono dalle batterie.

• Non aprire o danneggiare le batterie, non gettarle nel fuoco o nell'acqua, non posizionarle direttamente sopra fonti di umidità o calore e non esporle mai alla luce diretta del sole.

Osservare le avvertenze e i simboli riportati sul prodotto!

	Attenzione! Pericolo di scosse elettriche.
	Superficie calda
	LED di classe di rischio 2 Non guardare mai direttamente nella luce.
	Un coperchio di protezione distrutto deve essere sostituito con un coperchio di protezione originale Brennenstuhl® prima di utilizzare ulteriormente il prodotto. Nessun simbolo sul prodotto: Una copertura protettiva distrutta non può essere sostituita. Il prodotto deve essere smaltito.

	Non adatto al funzionamento con dimmer esterni.
	Rispettare la distanza minima.
	Tenere fuori dalla portata dei bambini.
	Non gettare il prodotto in acqua.
	Non gettare il prodotto nel fuoco.
	Leggere le avvertenze.

PULIZIA

Prima di procedere alla pulizia, scollegare il prodotto dalla rete elettrica. Non utilizzare solventi, detersivi corrosivi o simili. Per la pulizia utilizzare solo un panno asciutto o leggermente umido.

MANUTENZIONE

ATTENZIONE: l'apparecchio LED non contiene componenti che richiedono manutenzione. La sorgente luminosa di questo apparecchio non è sostituibile. Quando la sorgente luminosa giunge a fine vita, sostituire l'intero apparecchio. Non aprire l'apparecchio.



DECLARAZIONE DI CONFORMITÀ UE

La dichiarazione di conformità è depositata presso il produttore.

SMALTIMENTO

Smaltire gli apparecchi elettrici nel rispetto dell'ambiente!

Gli apparecchi elettrici non devono essere smaltiti nei rifiuti domestici!

La direttiva europea 2012/19/UE sui rifiuti di apparecchiature elettriche ed elettroniche stabilisce che gli apparecchi elettrici usati devono essere raccolti separatamente e riciclati in un modo ecologico.

Per le possibilità di smaltimento dell'apparecchio usato, contattare l'amministrazione locale o comunale.

Per ulteriori informazioni, consultare la sezione Assistenza/FAQ sulla nostra homepage www.brennenstuhl.com.

SÄKERHETSANVISNINGAR

Uppmärksamhet: Läs igenom denna bruksanvisning noggrant innan du använder produkten och förvara den sedan på ett säkert ställe!

• Kontrollera produkten före varje användning för att se om den är skadad.

Använd aldrig produkten om du upptäcker någon skada. Kontakta i så fall en kvalificerad elektriker eller tillverkarens serviceavdelning.

Om inte detta följts kan det leda till livsfara på grund av elektrisk stöt!

• Håll barn borta från produkten. Barn kan inte bedöma den fara som den elektriska strömmen utgör.

• Använd inte produkten i en explosiv miljö. Livsfara!

• Om minimeringsståndet inte hålls kan upplysta föremål överhetas. Ytorna på lamporna kan bli varma.

• Om lampans yttre nätbalk inte kan bytas ut, måste armaturen kasseras i händelse av en defekt eller skadad nätbalk.

• Håll barn borta från produkten. Barn kan inte bedöma den fara som den elektriska strömmen utgör.

• Använd inte produkten i en explosiv miljö. Livsfara!

• Om minimeringsståndet inte hålls kan upplysta föremål överhetas. Ytorna på lamporna kan bli varma.

• Om lampans yttre nätbalk inte kan bytas ut, måste armaturen kasseras i händelse av en defekt eller skadad nätbalk.

STATIONÄR

• Installation och underhåll av produkten måste utföras av en kvalificerad elektriker.

• Elektriska installationer får endast utföras i enlighet med säkerhetsföreskrifterna (VDE 0100 för Tyskland).

• För anslutningen måste en VDE-cerifierad anslutningskabel användas.

• Produkten måste vara ordentligt jordad (för skyddsklass II).

• Stäng alltid av strömförsörjningen före installationen - risken för elektrisk stöt.

• Observera de rekommenderade monteringshöjderna (se Montering).

• För att undvika kvävningsskador måste de flexibla kablar som är anslutna till denna lampa fästas i väggen, förutsatt att kablarna är inom räckhåll för armarna och att lampan är stadigt monterad på väggen.

MOBILT / UPPLADDNINGSBART BATTERI

Risk för skador på grund av brand, explosion och kemiska frätskador!

• Använd endast den medföljande nätdadaptern / kabeln eller en godkänd USB-stimulans för att ladda batterierna.

Användning av andra strömkällor kan skada batterierna eller orsaka en explosion!

• Om kopplingsdosan är skadad måste den bytas ut av en kvalificerad fackman.

• Förvara eller ladda inte batterierna utomhus, i fuktiga utrymmen eller på platser där mycket höga temperaturer kan förväntas (t.ex. i en friggel eller bakom vindutan i en bil).

• Djupurladdning, felaktig laddning och mekaniska skador kan leda till att litiumjonbatterierna värms upp. Utströmmande vätskor och ångor kan orsaka brännskador.

• Undvik djupurladdning: Ta ur batteriet ur apparaten om den inte ska användas under en längre tid.

• Batterier får inte kortslutas.

• Utsätt aldrig batterierna för temperaturer över 45 °C

• Ladda endast batterierna med en godkänd laddare. Ladda aldrig batterierna utan uppsikt.

• Kontrollera batterierna visuellt med avseende på skador och läckage. Ladda endast intakta och oskadade batterier.

Uppblåsta och skadade batterier måste kasseras på ett korrekt sätt.

• Vidolier inte skadade batterier direkt med huden, utan kassera dem omedelbart med lämpliga handskar. Andas inte in gaser som kommer ut från batterier.

• Öppna eller skada inte batterierna, kasta dem inte i eld eller vatten, placera dem inte direkt ovanför fukt- eller värmeväkare och utsätt dem aldrig för direkt solljus.

• Vidolier inte skadade batterier direkt med huden, utan kassera dem omedelbart med lämpliga handskar. Andas inte in gaser som kommer ut från batterier.

• Öppna eller skada inte batterierna, kasta dem inte i eld eller vatten, placera dem inte direkt ovanför fukt- eller värmeväkare och utsätt dem aldrig för direkt solljus.

Observera de varningar och symboler som finns på produkten!

	Varning! Fara på grund av elektrisk stöt.
	Heta ytor
	Lysdiod av riskklass 2 Titta aldrig direkt in i ljuset.
	Ett förstört skyddshölje måste ersättas med ett original Brennenstuhl® skyddshölje innan produkten används vidare. Ingen symbol på produkten: Ett förstört skyddshölje inte ersättas. Produkten måste kasseras.
	Inte lämpligt för drift med externa dimmers.
	Observera minimeringsståndet.
	Förvaras oåtkomligt för barn.
	Kasta inte produkten i vatten.
	Kasta inte produkten i eld.
	Läs varningarna.

RENGÖRING

Koppla bort produkten från nätspänningen före rengöring. Använd inte lösningsmedel, frätande rengöringsmedel eller liknande. Använd endast en torr eller lätt fuktig trasa för rengöring.

UNDERHÅLL

ÖBS: LED-armaturen innehåller inga komponenter som kräver underhåll. Ljusikillarna i denna armatur är inte utbytbara.

När ljusikillarna när slutet av sin livslängd ska du byta ut hela armaturen. Öppna inte armaturen.

• Håll barn borta från produkten. Barn kan inte bedöma den fara som den elektriska strömmen utgör.

• Använd inte produkten i en explosiv miljö. Livsfara!

• Om minimeringsståndet inte hålls kan upplysta föremål överhetas. Ytorna på lamporna kan bli varma.

• Om lampans yttre nätbalk inte kan bytas ut, måste armaturen kasseras i händelse av en defekt eller skadad nätbalk.

• Håll barn borta från produkten. Barn kan inte bedöma den fara som den elektriska strömmen utgör.

• Använd inte produkten i en explosiv miljö. Livsfara!

• Om minimeringsståndet inte hålls kan upplysta föremål överhetas. Ytorna på lamporna kan bli varma.

• Om lampans yttre nätbalk inte kan bytas ut, måste armaturen kasseras i händelse av en defekt eller skadad nätbalk.

• Håll barn borta från produkten. Barn kan inte bedöma den fara som den elektriska strömmen utgör.

• Använd inte produkten i en explosiv miljö. Livsfara!

• Om minimeringsståndet inte hålls kan upplysta föremål överhetas. Ytorna på lamporna kan bli varma.

• Om lampans yttre nätbalk inte kan bytas ut, måste armaturen kasseras i händelse av en defekt eller skadad nätbalk.

• Håll barn borta från produkten. Barn kan inte bedöma den fara som den elektriska strömmen utgör.

• Använd inte produkten i en explosiv miljö. Livsfara!

• Om minimeringsståndet inte hålls kan upplysta föremål överhetas. Ytorna på lamporna kan bli varma.

• Om lampans yttre nätbalk inte kan bytas ut, måste armaturen kasseras i händelse av en defekt eller skadad nätbalk.

• Håll barn borta från produkten. Barn kan inte bedöma den fara som den elektriska strömmen utgör.

• Använd inte produkten i en explosiv miljö. Livsfara!

• Om minimeringsståndet inte hålls kan upplysta föremål överhetas. Ytorna på lamporna kan bli varma.

• Om lampans yttre nätbalk inte kan bytas ut, måste armaturen kasseras i händelse av en defekt eller skadad nätbalk.

• Håll barn borta från produkten. Barn kan inte bedöma den fara som den elektriska strömmen utgör.

• Använd inte produkten i en explosiv miljö. Livsfara!

• Om minimeringsståndet inte hålls kan upplysta föremål överhetas. Ytorna på lamporna kan bli varma.

• Om lampans yttre nätbalk inte kan bytas ut, måste armaturen kasseras i händelse av en defekt eller skadad nätbalk.

• Håll barn borta från produkten. Barn kan inte bedöma den fara som den elektriska strömmen utgör.

• Använd inte produkten i en explosiv miljö. Livsfara!

• Om minimeringsståndet inte hålls kan upplysta föremål överhetas. Ytorna på lamporna kan bli varma.

• Om lampans yttre nätbalk inte kan bytas ut, måste armaturen kasseras i händelse av en defekt eller skadad nätbalk.

• Håll barn borta från produkten. Barn kan inte bedöma den fara som den elektriska strömmen utgör.

• Använd inte produkten i en explosiv miljö. Livsfara!

• Om minimeringsståndet inte hålls kan upplysta föremål överhetas. Ytorna på lamporna kan bli varma.

• Om lampans yttre nätbalk inte kan bytas ut, måste armaturen kasseras i händelse av en defekt eller skadad nätbalk.

• Mantenga a los niños alejados del producto. Los niños no pueden evitar el peligro que supone la corriente eléctrica.

• No utilice el producto en un entorno explosivo, peligro de muerte!

• Si no se mantiene la distancia mínima, los objetos iluminados pueden sobrecalentarse. Las superficies de las lámparas pueden calentarse.

• Si no se puede sustituir el cable de alimentación exterior de la luminaria, ésta deberá desecharse en caso de que el cable de alimentación esté defectuoso o dañado.

• Mantenga a los niños alejados del producto. Los niños no pueden evitar el peligro que supone la corriente eléctrica.

• No utilice el producto en un entorno explosivo, peligro de muerte!

• Si no se mantiene la distancia mínima, los objetos iluminados pueden sobrecalentarse. Las superficies de las lámparas pueden calentarse.

• Si no se puede sustituir el cable de alimentación exterior de la luminaria, ésta deberá desecharse en caso de que el cable de alimentación esté defectuoso o dañado.

• Mantenga a los niños alejados del producto. Los niños no pueden evitar el peligro que supone la corriente eléctrica.

• No utilice el producto en un entorno explosivo, peligro de muerte!

• Si no se mantiene la distancia mínima, los objetos iluminados pueden sobrecalentarse. Las superficies de las lámparas pueden calentarse.

• Si no se puede sustituir el cable de alimentación exterior de la luminaria, ésta deberá desecharse en caso de que el cable de alimentación esté defectuoso o dañado.

• Mantenga a los niños alejados del producto. Los niños no pueden evitar el peligro que supone la corriente eléctrica.

• No utilice el producto en un entorno explosivo, peligro de muerte!

• Si no se mantiene la distancia mínima, los objetos iluminados pueden sobrecalentarse. Las superficies de las lámparas pueden calentarse.

• Si no se puede sustituir el cable de alimentación exterior de la luminaria, ésta deberá desecharse en caso de que el cable de alimentación esté defectuoso o dañado.

• Mantenga a los niños alejados del producto. Los niños no pueden evitar el peligro que supone la corriente eléctrica.

• No utilice el producto en un entorno explosivo, peligro de muerte!

• Si no se mantiene la distancia mínima, los objetos iluminados pueden sobrecalentarse. Las superficies de las lámparas pueden calentarse.

• Si no se puede sustituir el cable de alimentación exterior de la luminaria, ésta deberá desecharse en caso de que el cable de alimentación esté defectuoso o dañado.

• Mantenga a los niños alejados del producto. Los niños no pueden evitar el peligro que supone la corriente eléctrica.

• No utilice el producto en un entorno explosivo, peligro de muerte!

• Si no se mantiene la distancia mínima, los objetos iluminados pueden sobrecalentarse. Las superficies de las lámparas pueden calentarse.

• Si no se puede sustituir el cable de alimentación exterior de la luminaria, ésta deberá desecharse en caso de que el cable de alimentación esté defectuoso o dañado.

• Mantenga a los niños alejados del producto. Los niños no pueden evitar el peligro que supone la corriente eléctrica.

• No utilice el producto en un entorno explosivo, peligro de muerte!

• Si no se mantiene la distancia mínima, los objetos iluminados pueden sobrecalentarse. Las superficies de las lámparas pueden calentarse.

• Si no se puede sustituir el cable de alimentación exterior de la luminaria, ésta deberá desecharse en caso de que el cable de alimentación esté defectuoso o dañado.

• Mantenga a los niños alejados del producto. Los niños no pueden evitar el peligro que supone la corriente eléctrica.

• No utilice el producto en un entorno explosivo, peligro de muerte!

• Si no se mantiene la distancia mínima, los objetos iluminados pueden sobrecalentarse. Las superficies de las lámparas pueden calentarse.

• Si no se puede sustituir el cable de alimentación exterior de la luminaria, ésta deberá desecharse en caso de que el cable de alimentación esté defectuoso o dañado.

• Mantenga a los niños alejados del producto. Los niños no pueden evitar el peligro que supone la corriente eléctrica.

• No utilice el producto en un entorno explosivo, peligro de muerte!

• Si no se mantiene la distancia mínima, los objetos iluminados pueden sobrecalentarse. Las superficies de las lámparas pueden calentarse.

• Si no se puede sustituir el cable de alimentación exterior de la luminaria, ésta deberá desecharse en caso de que el cable de alimentación esté defectuoso o dañado.

• Mantenga a los niños alejados del producto. Los niños no pueden evitar el peligro que supone la corriente eléctrica.

• No utilice el producto en un entorno explosivo, peligro de muerte!

• Si no se mantiene la distancia mínima, los objetos iluminados pueden sobrecalentarse. Las superficies de las lámparas pueden calentarse.

• Si no se puede sustituir el cable de alimentación exterior de la luminaria, ésta deberá desecharse en caso de que el cable de alimentación esté defectuoso o dañado.

• Mantenga a los niños alejados del producto. Los niños no pueden evitar el peligro que supone la corriente eléctrica.

• No utilice el producto en un entorno explosivo, peligro de muerte!

• Si no se mantiene la distancia mínima, los objetos iluminados pueden sobrecalentarse. Las superficies de las lámparas pueden calentarse.

• Si no se puede sustituir el cable de alimentación exterior de la luminaria, ésta deberá desecharse en caso de que el cable de alimentación esté defectuoso o dañado.

• Mantenga a los niños alejados del producto. Los niños no pueden evitar el peligro que supone la corriente eléctrica.

• No utilice el producto en un entorno explosivo, peligro de muerte!

• Si no se mantiene la distancia mínima, los objetos iluminados pueden sobrecalentarse. Las superficies de las lámparas pueden calentarse.

• Si no se puede sustituir el cable de alimentación exterior de la luminaria, ésta deberá desecharse en caso de que el cable de alimentación esté defectuoso o dañado.

• Mantenga a los niños alejados del producto. Los niños no pueden evitar el peligro que supone la corriente eléctrica.

• No utilice el producto en un entorno explosivo, peligro de muerte!

• Si no se mantiene la distancia mínima, los objetos iluminados pueden sobrecalentarse. Las superficies de las lámparas pueden calentarse.

• Si no se puede sustituir el cable de alimentación exterior de la luminaria, ésta deberá desecharse en caso de que el cable de alimentación esté defectuoso o dañado.

• Mantenga a los niños alejados del producto. Los niños no pueden evitar el peligro que supone la corriente eléctrica.

• No utilice el producto en un entorno explosivo, peligro de muerte!

• Si no se mantiene la distancia mínima, los objetos iluminados pueden sobrecalentarse. Las superficies de las lámparas pueden calentarse.

• Si no se puede sustituir el cable de alimentación exterior de la luminaria, ésta deberá desecharse en caso de que el cable de alimentación esté defectuoso o dañado.

• Mantenga a los niños alejados del producto. Los niños no pueden evitar el peligro que supone la corriente eléctrica.

• No utilice el producto en un entorno explosivo, peligro de muerte!

• Si no se mantiene la distancia mínima, los objetos iluminados pueden sobrecalentarse. Las superficies de las lámparas pueden calentarse.

• Si no se puede sustituir el cable de alimentación exterior de la luminaria, ésta deberá desecharse en caso de que el cable de alimentación esté defectuoso o dañado.

• Mantenga a los niños alejados del producto. Los niños no pueden evitar el peligro que supone la corriente eléctrica.

LIMPIEZA

Desconecte el producto de la red eléctrica antes de limpiarlo. No utilice disolventes, productos de limpieza corrosivos o similares. Utilice únicamente un paño seco o ligeramente humedecido para la limpieza.

• Mantenga a los niños alejados del producto. Los niños no pueden evitar el peligro que supone la corriente eléctrica.

• No utilice el producto en un entorno explosivo, peligro de muerte!

• Si no se mantiene la distancia mínima, los objetos iluminados pueden sobrecalentarse. Las superficies de las lámparas pueden calentarse.

• Si no se puede sustituir el cable de alimentación exterior de la luminaria, ésta deberá desecharse en caso de que el cable de alimentación esté defectuoso o dañado.

• Mantenga a los niños alejados del producto. Los niños no pueden evitar el peligro que supone la corriente eléctrica.

• No utilice el producto en un entorno explosivo, peligro de muerte!

• Si no se mantiene la distancia mínima, los objetos iluminados pueden sobrecalentarse. Las superficies de las lámparas pueden calentarse.

• Si no se puede sustituir el cable de alimentación exterior de la luminaria, ésta deberá desecharse en caso de que el cable de alimentación esté defectuoso o dañado.

• Mantenga a los niños alejados del producto. Los niños no pueden evitar el peligro que supone la corriente eléctrica.

• No utilice el producto en un entorno explosivo, peligro de muerte!

brennenstuhl®

CE BEZPEČNOSTNÍ POKYNY

Pozor: Před použitím výrobku si pečlivě přečtěte tento návod k použití a poté jej uložte na bezpečném místě! Pokud nebo vymění vadný napájecí kabel svítidla, musí být výrobek znovu bezpečně poškozen. Pokud zjistíte jakékoli poškození, výrobek nikdy nepoužívejte. V takovém případě se obraťte na kvalifikovaného elektrikáře nebo na servisní adresu výrobce.

Při neodržení míře délků k ohrožení života v důsledku úrazu elektrickým proudem

- Zabraňte přístupu dětí k výrobku. Děti nedokážou posoudit nebezpečí, které představuje elektrický proud.
- Nepoužívejte výrobek ve výbušném prostředí, nebezpečí ohrožení života!

0,2 m Pokud není dodržena minimální vzdálenost, může dojít k přehřátí osvětlovacích předmětů.

Použití lamp se mohou zahřát.

Pokud máte vyměnit vadný napájecí kabel svítidla, musí být výrobek znovu bezpečně poškozen. Pokud zjistíte jakékoli poškození, výrobek nikdy nepoužívejte. V takovém případě se obraťte na kvalifikovaného elektrikáře nebo na servisní adresu výrobce.

CE PROHLÁŠENÍ O SHODĚ EU

Prohlášení o shodě je uloženo u výrobce.

ODSTRANĚNÍ

Elektrická spotřebiče likvidujte způsobem Setravný v domovním prostředí

Elektrická spotřebiče se nesmí likvidovat v domovním prostředí!

Podle evropské směrnice 2012/19/EU o odpadních elektrických a elektronických zařízeních je nutné použít elektrické spotřebiče sbírat odděleně a recyklovat způsobem Setravný k životnímu prostředí.

O možnostech likvidace použitého spotřebiče se informujte na místním nebo obecním úřadě.

Další informace naleznete v sekci Servis/FAQ na naší domovské stránce www.brennenstuhl.com.

MOBILNÍ / DOBÍJECÍ BATERIE

Nebezpečí zranění v důsledku požáru, výbuchu a chemických popálenin!

K nabíjení baterie používejte pouze dodaný síťový adaptér / kabel nebo schválený zdroj napájení USB.

Použití jiných napájecích zdrojů může poškodit baterie nebo způsobit výbuch!

Pokud dojde k poškození propojovací skřínky, musí ji vyměnit kvalifikovaný odborník.

Baterie neskladujte ani nenaházejte venku, ve vlhkých místnostech nebo na místě, kde lze očekávat velmi vysoké teploty (např. v zahradním přístřešku nebo za čelním sklem automobilu).

Hluboké vybití, nesprávné nabíjení a mechanické poškození mohou způsobit zahřátí Li-ionových baterií. Unikající kapaliny a páry mohou způsobit zranění v důsledku popálenin.

Vyvarujte se hlubokého vybití. Pokud nebudete baterie delší dobu používat, vyjměte je z zařízení.

Baterie nevyhazujte nakládkou.

Nikdy nevytvářejte baterie teplotám vyšším než 45 °C!

Baterie nabíjejte pouze pomocí schválené nabíječky. Nikdy nenabíjejte baterie bez dozvu.

Vizuálně kontrolejte baterie, zda nejsou poškozené a zda z nich neteče voda. Nabíjejte pouze nepoškozené a nepoškozené baterie. Nafouknutí a poškozené baterie musí být řádně zlikvidovány.

Poškozených baterií se nedotýkejte přímo kůží, ale i když je řádně zlikvidujete pomocí vhodných rukavic. Nevdechujte plyny unikající z baterií.

Baterie neovízejte ani nepoškozujte, nevhazujte je do ohně nebo vody, neumístejte je přímo nad zdroje vlhkosti nebo tepla a nikdy je nevytvářejte přímemu slunečnímu záření.

Dodržíte výstrahy a symboly na výrobku!

	Upozornění! Nebezpečí úrazu elektrickým proudem.
	Horký povrch

	LED diody třída nebezpečí 2 Nikdy se nedívejte přímo do světla.
--	---

Znčení ochranný kryt musí být před dalším používáním výrobku nahrazen originálním ochranným krytem Brennenstuhl®.

Na výrobku není žádný symbol:
Znčení ochranný kryt nete vyměnit. Výrobek musí být zlikvidován.

	Nevhodné pro provoz s externími svítilnami.
	Dodržíte minimální vzdálenost.
	Uchovávejte mimo dosah dětí.
	Výrobek nevhazujte do vody.
	Nevhazujte výrobek do ohně.
	Přetřete si varování.

ČIŠTĚNÍ

Před čištěním odpojte výrobek od síťového napětí. Nepoužívejte napařovačky, žehárky či čističe prostředky apod. K čištění používejte pouze suchý nebo mírně navlhčený hadřík.

ÚDRŽBA

POZOR: LED svítidlo neobsahuje žádné součásti, které by vyžadovaly údržbu. Světelný zdroj tohoto svítidla není vyměnitelný. Po skončení životnosti světelného zdroje vyměňte celé svítidlo. Svítidlo neovízejte.

CE PROHLÁŠENÍ O SHODĚ EU

Prohlášení o shodě je uloženo u výrobce.

ODSTRANĚNÍ

Elektrická spotřebiče likvidujte způsobem Setravný v domovním prostředí

Elektrická spotřebiče se nesmí likvidovat v domovním prostředí!

Podle evropské směrnice 2012/19/EU o odpadních elektrických a elektronických zařízeních je nutné použít elektrické spotřebiče sbírat odděleně a recyklovat způsobem Setravný k životnímu prostředí.

O možnostech likvidace použitého spotřebiče se informujte na místním nebo obecním úřadě.

Další informace naleznete v sekci Servis/FAQ na naší domovské stránce www.brennenstuhl.com.

CE BEZPEČNOSTNÍ POKYNY

CE PROHLÁŠENÍ O SHODĚ EU

Prohlášení o shodě je uloženo u výrobce.

ODSTRANĚNÍ

Elektrická spotřebiče likvidujte způsobem Setravný v domovním prostředí

Elektrická spotřebiče se nesmí likvidovat v domovním prostředí!

Podle evropské směrnice 2012/19/EU o odpadních elektrických a elektronických zařízeních je nutné použít elektrické spotřebiče sbírat odděleně a recyklovat způsobem Setravný k životnímu prostředí.

O možnostech likvidace použitého spotřebiče se informujte na místním nebo obecním úřadě.

Další informace naleznete v sekci Servis/FAQ na naší domovské stránce www.brennenstuhl.com.

CE BEZPEČNOSTNÍ POKYNY

CE PROHLÁŠENÍ O SHODĚ EU

Prohlášení o shodě je uloženo u výrobce.

ODSTRANĚNÍ

Elektrická spotřebiče likvidujte způsobem Setravný v domovním prostředí

Elektrická spotřebiče se nesmí likvidovat v domovním prostředí!

Podle evropské směrnice 2012/19/EU o odpadních elektrických a elektronických zařízeních je nutné použít elektrické spotřebiče sbírat odděleně a recyklovat způsobem Setravný k životnímu prostředí.

O možnostech likvidace použitého spotřebiče se informujte na místním nebo obecním úřadě.

Další informace naleznete v sekci Servis/FAQ na naší domovské stránce www.brennenstuhl.com.

CE BEZPEČNOSTNÍ POKYNY

CE PROHLÁŠENÍ O SHODĚ EU

Prohlášení o shodě je uloženo u výrobce.

ODSTRANĚNÍ

Elektrická spotřebiče likvidujte způsobem Setravný v domovním prostředí

Elektrická spotřebiče se nesmí likvidovat v domovním prostředí!

Podle evropské směrnice 2012/19/EU o odpadních elektrických a elektronických zařízeních je nutné použít elektrické spotřebiče sbírat odděleně a recyklovat způsobem Setravný k životnímu prostředí.

O možnostech likvidace použitého spotřebiče se informujte na místním nebo obecním úřadě.

Další informace naleznete v sekci Servis/FAQ na naší domovské stránce www.brennenstuhl.com.

CE BEZPEČNOSTNÍ POKYNY

CE PROHLÁŠENÍ O SHODĚ EU

Prohlášení o shodě je uloženo u výrobce.

ODSTRANĚNÍ

Elektrická spotřebiče likvidujte způsobem Setravný v domovním prostředí

Elektrická spotřebiče se nesmí likvidovat v domovním prostředí!

Podle evropské směrnice 2012/19/EU o odpadních elektrických a elektronických zařízeních je nutné použít elektrické spotřebiče sbírat odděleně a recyklovat způsobem Setravný k životnímu prostředí.

O možnostech likvidace použitého spotřebiče se informujte na místním nebo obecním úřadě.

Další informace naleznete v sekci Servis/FAQ na naší domovské stránce www.brennenstuhl.com.

Ne táhlojte vagy töltsze az akkumulátorokat káttérben, nedves helyiségben vagy olyan helyen, ahol nagyon magas hőmérséklet várható (pl. kerti fészerben vagy autós szedőgépnél mögött).

A mélykísülés, a nem megfelelő töltés és a mechanikai sérülések a Li-ion akkumulátorok felmelegedését okozhatják. A kiszabaduló folyadékok és gőzök égési sérüléseket okozhatnak.

Kerülje a mélykísülést: Vegye ki az akkumulátorokat a készülékből, ha hosszabb ideig nem használja.

Soha ne tegye ki az akkumulátorokat.

Soha ne töltsze az akkumulátorokat 45 °C feletti hőmérsékletnél.

Az akkumulátorokat csak a jóváhagyott töltővel töltsze. Soha ne töltsze az akkumulátorokat felügyelet nélkül.

Ellenőrizze szemrevételezéssel az akkumulátorokat sérülések és szivárgás szempontjából. Csak ép és sérülésmentes akkumulátorokat töltsön. A felhűt és sérült akkumulátorokat megfelelően meg kell semmisíteni.

A sérült akkumulátorokat ne érintse meg közvetlenül a bőrével, hanem megfelelő kesztyűben azonnal ártalmatlanítsa azokat megfelelően. Ne lélegezze be az akkumulátorokból kiáramló gázokat.

Ne nyissa fel vagy rongálja meg az akkumulátorokat, ne dobja tűzbe vagy vízbe, ne helyezze közvetlenül nedveség- vagy hőforrás fölé, és soha ne tegye ki közvetlen napfénynek.

Tartsa be a terméket található figyelmeztetések és szimbólumokat!

	Vigyázat! Áramütés veszélye.
	Forró felület

2 kockázati osztályba tartozó LED kábel, soha ne nézzen közvetlenül a fénybe.

A töltőmentes védőburkolatot a reflektor további használatá előtt eredeti Brennenstuhl® védőburkolatla kell cserélni.

Nincs szimbólum a termékeken:
A töltőmentes védőburkolat nem cserélhető ki. A terméket meg kell semmisíteni.

Nem alkalmas külső dímmerekkel való működésre.

0,2 m Tartsa be a minimális távolságot.

Gyermekek elől elzárva tartandó.

Ne dobja a terméket vízbe.

Ne dobja a terméket tűzbe.

Olvassa el a figyelmeztetéseket.

TISZTÍTÁS

Tisztítás előtt válassza le a terméket a hálózati feszültségről. Ne használjon oldószerreket, maró hatású tisztítószereket vagy hasonlókat. A tisztításhoz csak száraz vagy enyhén nedves ruhát használjon.

KARBANTARTÁS

A LED-es lámpatest nem tartalmaz karbantartást igénylő alkatrészeket. A lámpatest fényforrása nem cserélhető. Ha a fényforrás eléli élettartama végét, cserélje ki az egész lámpatestet. Ne nyissa ki a lámpatestet.

CE EU-MEGFELELŐSÉGI NYILATKOZAT

A megfelelő ség nyilatkozatot a gyártónál helyezték letébe.

ELDOBÁS

Az elektromos készülékek környezetbarát módon ártalmatlanítás!

Az elektromos készülékek nem szabad a háztartási hulladékba dobni!

Az elektromos és elektronikus berendezések hulladékairól szóló 2012/19/EU európai irányelv előírja, hogy a használt elektromos készülékeket elkülönítve kell gyűjteni és környezetbarát módon újrahasznosítani.

A használt készülék ártalmatlanításának lehetőségéről kérjük, forduljon a helyi vagy önkormányzati hivatalhoz.

További információkat kérjük, olvassa el a www.brennenstuhl.com honlapunk Servis/FAQ részét.

RU УКАЗАНИЯ ПО БЕЗОПАСНОСТИ

Внимание: Перед использованием изделия, пожалуйста, внимательно прочитайте данную инструкцию по применению, а затем храните ее в надежном месте!

Перед каждым использованием проверяйте изделие на наличие повреждений.

Никогда не используйте изделие, если вы заметили какие-либо повреждения. В этом случае обратитесь к квалифицированному электрику или по адресу сервисной службы производителя.

Необходимо помнить о опасности для жизни из-за поражения электрическим током!

Не подпускайте детей к изделию. Дети не могут оценить опасность, исходящую от электрического тока.

Не используйте изделие во взрывоопасной среде, опасность для жизни!

Если минимальное расстояние не соблюдается, освещенные объекты могут перегреться. Поверхности ламп могут нагреваться.

Если внешний кабель питания светильника невозможно заменить, то в случае неисправного или поврежденного кабеля питания светильник подлежит утилизации.

0,2 m Если минимальное расстояние не соблюдается, освещенные объекты могут перегреться. Поверхности ламп могут нагреваться.

Если внешний кабель питания светильника невозможно заменить, то в случае неисправного или поврежденного кабеля питания светильник подлежит утилизации.

СТАЦИОНАРНЫЙ

Установка и обслуживание изделия должны выполняться квалифицированным электриком.

Электромагнитные работы разрешается выполнять только в соответствии с правилами техники безопасности (VDE 0100 для Германии).

Для подключения необходимо использовать сертифицированные VDE соединительный кабель.

Изделие должно быть надлежащим образом заземлено (для класса защиты I).

Перед установкой всегда отключайте электропитание - предупредите поражение электрическим током.

Соблюдайте рекомендуемую высоту монтажа (см. Монтаж).

Использование других источников питания может привести к повреждению батарей или взрыву!

Если соединительный кабель поврежден, его должен заменить квалифицированный специалист.

Не храните и не заряжайте аккумуляторы на открытом воздухе, в сырых помещениях или в местах, где ожидается очень высокая температура (например, в саду или в гараже).

Используйте только исправные и неповрежденные аккумуляторы. Случайные повреждения аккумуляторов должны быть утилизированы надлежащим образом.

Не прикасайтесь к поврежденным батареям непосредственно кожей, а сразу же утилизируйте их с использованием соответствующих перчаток. Не вдыхайте газы, выходящие из батарей.

Не открывайте и не повреждайте батареи, не бросайте их в огонь или воду, не расплавляйте их непосредственно над источниками огня или тепла и не подвергайте воздействию прямых солнечных лучей.

Соблюдайте предостережения и символы на вашем изделии!

Внимание! Опасность поражения электрическим током.

Горячая поверхность

Светодиод класса опасности 2
Никогда не смотрите прямо на свет.

	Перед дальнейшим использованием проектора необходимо заменить разрушенный защитный колпак оригинальным защитным колпаком Brennenstuhl®.
	Не подходит для работы с внешними диодными.
	Соблюдайте минимальное расстояние.
	Храните в недоступном для детей месте.
	Не бросайте продукт в воду.
	Не выбрасывайте продукт в огонь.
	Прочтите предупреждения.

ЧИСТКА

Перед чистой отсоедините прибор от сети электропитания. Не используйте растворители, агрессивные чистящие средства и т.п. Для очистки используйте только сухую или слегка влажную ткань.

ОБСЛУЖИВАНИЕ

ВНИМАНИЕ: светодиодный светильник не содержит компонентов, требующих обслуживания. Источник света этого светильника не подлежит замене. Когда срок службы источника света истечет, замените весь светильник. Не открывайте светильник.

ЕВРОПЕЙСКАЯ ДЕКЛАРАЦИЯ СООТВЕТСТВИЯ

Декларация о соответствии передается на хранение производителю.

УТИЛИЗАЦИЯ

Утилизация электроприбора экологически безопасным способом!

Электроприбор нельзя выбрасывать в бытовые отходы!

Европейская директива 2012/19/EU об отходах электрического и электронного оборудования предписывает, что использованные электроприборы должны собираться отдельно и перерабатываться экологически безопасным способом.

О возможности утилизации использованных электроприборов можно узнать в местной или муниципальной администрации.

За дополнительной информацией обращайтесь к разряду Servis/FAQ на нашей домашней странице www.brennenstuhl.com.

TR GÜVENLİK TALİMATLARI

Dikkat: Ürünü kullanmadan önce lütfen bu kullanım talimatlarını dikkatlice okuyun ve ardından güvenli bir yerde saklayın!

Her kullanımdan önce üründe herhangi bir hasar olup olmadığını kontrol edin.

Herhangi bir hasar fark ederseniz ürünü asla kullanmayın. Bu durumda, kalifiye bir elektrikle yeti uzmanına servise adresine başvurun.

Vana yutulması elektrik çarpması nedeniyle hayatı tehlikeye yer açabilir!

(Çocukları izlenmek için tutun. Çocukları elektrik akımını yaratığı tehlikeye değdirlemez.)

Ürünü patlayıcı bir ortamda kullanmayın, hayati tehlike!

0,2 m Minimum mesafe korunmazsa, aydınlatılan nesnelere ayrı isanabilir.

Lambaların yüzeyleri ısınabilir.

Armatürün dış güç kablosu değiştirilemorsa, anızlı veya hasarlı bir güç kablosu olmas durumunda armatür atılmalıdır.

SABİT

Ürünün kurulumu ve bakımı kalifiye bir elektrikli tarafından yapılmalıdır.

Elektrik tesisatları sadece güvenilir yönetmeliklerine (Almanya için VDE 0100) uygun olarak gerçekleştirilmelidir.

Bağlantı için VDE sertifikalı bir bağlantı kablosu kullanılmaldır.

Ürün uygun şekilde topraklanmalıdır (koruma sınıfı I için).

Kurulumdan önce daima güç kaynağını kapatın - elektrik çarpmasına dikkat!

Önerilen montaj yüksekliklerine uygun (bkz. Montaj).

Buğulama riskini önlemek için, bu ışığı bağılı esnek kablolar, kabloların kolları erimeyeceği mesafede olmas ve ışığın duvara sıkıca monte edilmiş şartıyla duvara sabitlenmelidir.

MOBİL / AKÜ

Yangın, patlama ve kimyasal yanıklar nedeniyle yaralanma riski!

Pilleri ayrı etmekte için yalnızca birlikte verilen sebek adaptörünü / kablosunu veya onaylı bir USB güç kaynağını kullanın. Diğer güç kaynaklarını kullanılması aküleri zarar verebilir veya patlamaya neden olabilir!

Bağlantı kutusu hasar görürse, kalifiye bir uzman tarafından değiştirilmelidir.

Aküler açık havada, nemli odalarda veya çok yüksek sıcaklıklarda bekletildiği yerlerde (örneğin bir bahçe kulübünde veya bir arabanın ön camının arkasında) saklamayın veya şarj etmeyin.

Derin deşarj, yanlış şarj ve mekanik hasar Li-ion akülerin ısımasına neden olabilir. Kaçın sıvılar ve buharlar yanıklara bağlı yaralanmalara neden olabilir.

Derin deşarjdan kaçınm: Ürün süresi kullanılmayacaksa pilli cihazdan çıkarın.

Pillerle dışarı ve sıcak ortamlarda güneş ışığı altında saklamayın.

Akülerin asla 45 °C'yi aşmaması için sıcaklıkları kontrol edin.

Akülerin sadece onaylı şarj cihazı ile şarj edin. Akülerin asla güzetilmesini şarj etmeyin.

Akülerin hasar ve sıcak ortamlarda güneş ışığı altında saklamayın. Sadece sağlam ve hasarsız akülerini şarj edin. Şişmiş ve hasarlı aküler uygun şekilde atılmalıdır.

Hasarlı aküleri doğrudan dışarıya atmayın, uygun eldivenler kullanılarak derhal uygun şekilde atın. Akülerden çıkan gazları solmayın.

Pilleri açmayın veya hasar vermeyin, atese veya suya atmayın, doğrudan nem veya ısı kaynaklarını üzerine yerleştirmeyin ve asla doğrudan güneş ışığıyla maruz bırakmayın.

Ürününüzün üzerindeki uyarılar ve semboller dikkate alın!

	Dikkat! Elektrik çarpması tehlikesi.
	Sıcak yüzey

Risk sınıfı 2 LED!
Lütfen asla doğrudan ışığı bakmayın.

Tahrir olmas bir korusu kapak, spot ışığın daha fazla kullanılmamasından önce orijinal bir Brennenstuhl® korusu kapak ile değiştirilmelidir.

Ürün üzerindeki sembol yok:
Tahrir olmas bir korusu kapak değiştirilmelidir. Ürün imha edilmelidir.

Hasarlı diemlerle çalışılmamış için uygun değildir.

FB TURVALLISUUSOHJEET

LED **Huomio:** Lue nämä käyttöohjeet huolellisesti ennen tuotteen käyttöä ja säilytä ne siten turvallisessa paikassa.

- Tarkista tuote ennen jokaista käyttökertaa mahdollisten vaurioiden varalta.

Älä koskaan käytä tuotetta, jos huomaat vaurioita. Ota tässä tapauksessa yhteyttä päteviin sähköasentajaan tai valmistajan huolto-osastukseen.

- Älä käytä tuotetta räjähäilyaltissa ympäristössä, hengenvaaral!

Noudattamatta jättäminen voi aiheuttaa heikken- vaa- van sähköiskun vaarallisu!

- Pidä lapset erossa tuotteesta. Lapset eivät osaa arvioida sähkö- virran aiheuttamaa vaaraa.

Älä koskaan käytä tuotetta, jos huomaat vaurioita. Ota tässä tapauksessa yhteyttä päteviin sähköasentajaan tai valmistajan huolto-osastukseen.

Noudattamatta jättäminen voi aiheuttaa heikken- vaa- van sähköiskun vaarallisu!

Älä koskaan käytä tuotetta, jos huomaat vaurioita. Ota tässä tapauksessa yhteyttä päteviin sähköasentajaan tai valmistajan huolto-osastukseen.

Älä koskaan käytä tuotetta, jos huomaat vaurioita. Ota tässä tapauksessa yhteyttä päteviin sähköasentajaan tai valmistajan huolto-osastukseen.

Älä koskaan käytä tuotetta, jos huomaat vaurioita. Ota tässä tapauksessa yhteyttä päteviin sähköasentajaan tai valmistajan huolto-osastukseen.

Älä koskaan käytä tuotetta, jos huomaat vaurioita. Ota tässä tapauksessa yhteyttä päteviin sähköasentajaan tai valmistajan huolto-osastukseen.

Älä koskaan käytä tuotetta, jos huomaat vaurioita. Ota tässä tapauksessa yhteyttä päteviin sähköasentajaan tai valmistajan huolto-osastukseen.

Älä koskaan käytä tuotetta, jos huomaat vaurioita. Ota tässä tapauksessa yhteyttä päteviin sähköasentajaan tai valmistajan huolto-osastukseen.

Älä koskaan käytä tuotetta, jos huomaat vaurioita. Ota tässä tapauksessa yhteyttä päteviin sähköasentajaan tai valmistajan huolto-osastukseen.

Älä koskaan käytä tuotetta, jos huomaat vaurioita. Ota tässä tapauksessa yhteyttä päteviin sähköasentajaan tai valmistajan huolto-osastukseen.

Älä koskaan käytä tuotetta, jos huomaat vaurioita. Ota tässä tapauksessa yhteyttä päteviin sähköasentajaan tai valmistajan huolto-osastukseen.

Älä koskaan käytä tuotetta, jos huomaat vaurioita. Ota tässä tapauksessa yhteyttä päteviin sähköasentajaan tai valmistajan huolto-osastukseen.

Älä koskaan käytä tuotetta, jos huomaat vaurioita. Ota tässä tapauksessa yhteyttä päteviin sähköasentajaan tai valmistajan huolto-osastukseen.

Älä koskaan käytä tuotetta, jos huomaat vaurioita. Ota tässä tapauksessa yhteyttä päteviin sähköasentajaan tai valmistajan huolto-osastukseen.

Älä koskaan käytä tuotetta, jos huomaat vaurioita. Ota tässä tapauksessa yhteyttä päteviin sähköasentajaan tai valmistajan huolto-osastukseen.

Älä koskaan käytä tuotetta, jos huomaat vaurioita. Ota tässä tapauksessa yhteyttä päteviin sähköasentajaan tai valmistajan huolto-osastukseen.

Älä koskaan käytä tuotetta, jos huomaat vaurioita. Ota tässä tapauksessa yhteyttä päteviin sähköasentajaan tai valmistajan huolto-osastukseen.

Älä koskaan käytä tuotetta, jos huomaat vaurioita. Ota tässä tapauksessa yhteyttä päteviin sähköasentajaan tai valmistajan huolto-osastukseen.

Älä koskaan käytä tuotetta, jos huomaat vaurioita. Ota tässä tapauksessa yhteyttä päteviin sähköasentajaan tai valmistajan huolto-osastukseen.

Älä koskaan käytä tuotetta, jos huomaat vaurioita. Ota tässä tapauksessa yhteyttä päteviin sähköasentajaan tai valmistajan huolto-osastukseen.

Älä koskaan käytä tuotetta, jos huomaat vaurioita. Ota tässä tapauksessa yhteyttä päteviin sähköasentajaan tai valmistajan huolto-osastukseen.

Älä koskaan käytä tuotetta, jos huomaat vaurioita. Ota tässä tapauksessa yhteyttä päteviin sähköasentajaan tai valmistajan huolto-osastukseen.

Älä koskaan käytä tuotetta, jos huomaat vaurioita. Ota tässä tapauksessa yhteyttä päteviin sähköasentajaan tai valmistajan huolto-osastukseen.

Älä koskaan käytä tuotetta, jos huomaat vaurioita. Ota tässä tapauksessa yhteyttä päteviin sähköasentajaan tai valmistajan huolto-osastukseen.

Älä koskaan käytä tuotetta, jos huomaat vaurioita. Ota tässä tapauksessa yhteyttä päteviin sähköasentajaan tai valmistajan huolto-osastukseen.

Älä koskaan käytä tuotetta, jos huomaat vaurioita. Ota tässä tapauksessa yhteyttä päteviin sähköasentajaan tai valmistajan huolto-osastukseen.

Älä koskaan käytä tuotetta, jos huomaat vaurioita. Ota tässä tapauksessa yhteyttä päteviin sähköasentajaan tai valmistajan huolto-osastukseen.

Älä koskaan käytä tuotetta, jos huomaat vaurioita. Ota tässä tapauksessa yhteyttä päteviin sähköasentajaan tai valmistajan huolto-osastukseen.

Älä koskaan käytä tuotetta, jos huomaat vaurioita. Ota tässä tapauksessa yhteyttä päteviin sähköasentajaan tai valmistajan huolto-osastukseen.

Älä koskaan käytä tuotetta, jos huomaat vaurioita. Ota tässä tapauksessa yhteyttä päteviin sähköasentajaan tai valmistajan huolto-osastukseen.

Älä koskaan käytä tuotetta, jos huomaat vaurioita. Ota tässä tapauksessa yhteyttä päteviin sähköasentajaan tai valmistajan huolto-osastukseen.

Älä koskaan käytä tuotetta, jos huomaat vaurioita. Ota tässä tapauksessa yhteyttä päteviin sähköasentajaan tai valmistajan huolto-osastukseen.

Älä koskaan käytä tuotetta, jos huomaat vaurioita. Ota tässä tapauksessa yhteyttä päteviin sähköasentajaan tai valmistajan huolto-osastukseen.

Älä koskaan käytä tuotetta, jos huomaat vaurioita. Ota tässä tapauksessa yhteyttä päteviin sähköasentajaan tai valmistajan huolto-osastukseen.

Älä koskaan käytä tuotetta, jos huomaat vaurioita. Ota tässä tapauksessa yhteyttä päteviin sähköasentajaan tai valmistajan huolto-osastukseen.

Älä koskaan käytä tuotetta, jos huomaat vaurioita. Ota tässä tapauksessa yhteyttä päteviin sähköasentajaan tai valmistajan huolto-osastukseen.

Älä koskaan käytä tuotetta, jos huomaat vaurioita. Ota tässä tapauksessa yhteyttä päteviin sähköasentajaan tai valmistajan huolto-osastukseen.

Älä koskaan käytä tuotetta, jos huomaat vaurioita. Ota tässä tapauksessa yhteyttä päteviin sähköasentajaan tai valmistajan huolto-osastukseen.

Älä koskaan käytä tuotetta, jos huomaat vaurioita. Ota tässä tapauksessa yhteyttä päteviin sähköasentajaan tai valmistajan huolto-osastukseen.

Älä koskaan käytä tuotetta, jos huomaat vaurioita. Ota tässä tapauksessa yhteyttä päteviin sähköasentajaan tai valmistajan huolto-osastukseen.

Älä koskaan käytä tuotetta, jos huomaat vaurioita. Ota tässä tapauksessa yhteyttä päteviin sähköasentajaan tai valmistajan huolto-osastukseen.

Älä koskaan käytä tuotetta, jos huomaat vaurioita. Ota tässä tapauksessa yhteyttä päteviin sähköasentajaan tai valmistajan huolto-osastukseen.

Älä koskaan käytä tuotetta, jos huomaat vaurioita. Ota tässä tapauksessa yhteyttä päteviin sähköasentajaan tai valmistajan huolto-osastukseen.

Älä koskaan käytä tuotetta, jos huomaat vaurioita. Ota tässä tapauksessa yhteyttä päteviin sähköasentajaan tai valmistajan huolto-osastukseen.

Älä koskaan käytä tuotetta, jos huomaat vaurioita. Ota tässä tapauksessa yhteyttä päteviin sähköasentajaan tai valmistajan huolto-osastukseen.

Älä koskaan käytä tuotetta, jos huomaat vaurioita. Ota tässä tapauksessa yhteyttä päteviin sähköasentajaan tai valmistajan huolto-osastukseen.

Älä koskaan käytä tuotetta, jos huomaat vaurioita. Ota tässä tapauksessa yhteyttä päteviin sähköasentajaan tai valmistajan huolto-osastukseen.

Älä koskaan käytä tuotetta, jos huomaat vaurioita. Ota tässä tapauksessa yhteyttä päteviin sähköasentajaan tai valmistajan huolto-osastukseen.

Älä koskaan käytä tuotetta, jos huomaat vaurioita. Ota tässä tapauksessa yhteyttä päteviin sähköasentajaan tai valmistajan huolto-osastukseen.

Älä koskaan käytä tuotetta, jos huomaat vaurioita. Ota tässä tapauksessa yhteyttä päteviin sähköasentajaan tai valmistajan huolto-osastukseen.

Älä koskaan käytä tuotetta, jos huomaat vaurioita. Ota tässä tapauksessa yhteyttä päteviin sähköasentajaan tai valmistajan huolto-osastukseen.

Älä koskaan käytä tuotetta, jos huomaat vaurioita. Ota tässä tapauksessa yhteyttä päteviin sähköasentajaan tai valmistajan huolto-osastukseen.

Älä koskaan käytä tuotetta, jos huomaat vaurioita. Ota tässä tapauksessa yhteyttä päteviin sähköasentajaan tai valmistajan huolto-osastukseen.

Älä koskaan käytä tuotetta, jos huomaat vaurioita. Ota tässä tapauksessa yhteyttä päteviin sähköasentajaan tai valmistajan huolto-osastukseen.

Älä koskaan käytä tuotetta, jos huomaat vaurioita. Ota tässä tapauksessa yhteyttä päteviin sähköasentajaan tai valmistajan huolto-osastukseen.

Älä koskaan käytä tuotetta, jos huomaat vaurioita. Ota tässä tapauksessa yhteyttä päteviin sähköasentajaan tai valmistajan huolto-osastukseen.

Älä koskaan käytä tuotetta, jos huomaat vaurioita. Ota tässä tapauksessa yhteyttä päteviin sähköasentajaan tai valmistajan huolto-osastukseen.

Älä koskaan käytä tuotetta, jos huomaat vaurioita. Ota tässä tapauksessa yhteyttä päteviin sähköasentajaan tai valmistajan huolto-osastukseen.

Älä koskaan käytä tuotetta, jos huomaat vaurioita. Ota tässä tapauksessa yhteyttä päteviin sähköasentajaan tai valmistajan huolto-osastukseen.

Älä koskaan käytä tuotetta, jos huomaat vaurioita. Ota tässä tapauksessa yhteyttä päteviin sähköasentajaan tai valmistajan huolto-osastukseen.

Älä koskaan käytä tuotetta, jos huomaat vaurioita. Ota tässä tapauksessa yhteyttä päteviin sähköasentajaan tai valmistajan huolto-osastukseen.

Älä koskaan käytä tuotetta, jos huomaat vaurioita. Ota tässä tapauksessa yhteyttä päteviin sähköasentajaan tai valmistajan huolto-osastukseen.

LED Lue varoitukset.

PUHDISTUS Irrota tuote verkkojännitteestä ennen puhdistusta.

Älä käytä liuottimia, syövyttäviä puhdistusaineita tai vastaavia. Käytä puhdistukseen vain kiveä tai hieman kosteaa liinaa.

HUOLTO HUOMIO: LED-valaisin ei sisällä mitään huoltoa vaativia osia.

Tämän valaisimen valonlähteenä ei ole vaihtoehtoja. Kun valonlähde saaruttaa käyttökäsitä, vaihda koko valaisin. Älä avaa valaisinta.

LED **LED**

CE EU-VAATIMUSTENMUKAISUUSVAKUUTUS Vaatimustenmukaisuusvakuutus on talletettu valmistajan huostaan.

HÄVITTÄMINEN **Hävittä sähkölaitteet ympäristöstäsiiväisesti!**

Sähkölaitetta ei saa hävittää kotitalousjätteen mukana!

Sähkö- ja elektroniikkalaiteromua koskevassa eurooppalaisessa direktiivissä 2012/19/EU säädetään, että käytetyt sähkölaitteet on kerättävä erikseen ja kierrätettävä ympäristöystävällisesti.

Käytetyt laitteet hävittämishetimitä varten ota yhteyttä paikallis- tai kunnallishallintoon.

Lisätietoja on kotisivujemme Service/FAQ-osiossa www.brennenstuhl.com.

GR ΟΔΗΓΙΕΣ ΑΣΦΑΛΕΙΑΣ

LED **Προσοχή:** Πριν χρησιμοποιήσετε το προϊόν, διαβάστε προσεκτικά αυτές τις οδηγίες χρήσης και στη συνέχεια φιλιάξτε τις σε ασφαλή μέρος!

• Πριν από κάθε χρήση, ελέγξτε το προϊόν για τυχόν ζημιές. Μην χρησιμοποιήσετε ποτέ το προϊόν εάν παρατηρήσετε οποιοδήποτε ζημιά. Σε αυτή την περίπτωση, επικοινωνήστε με τον εξειδικευμένο ηλεκτρολόγο ή με τη διεύθυνση εξυμνήτριας του κατασκευαστή.

Η μη χρήση μπορεί να οδηγήσει σε κίνδυνο ζωής λόγω ηλεκτροπληξίας!

• Κρατήστε το παλιό μάρκα από τον ηνίο. Τα παλιά δεν μπορούν να εκπέμπουν τον κίνδυνο που ανήκει το ηλεκτρικό ρεύμα.

• Μην χρησιμοποιείτε το προϊόν σε εκρηκτική περιβάλλον, κίνδυνος για τη ζωή!

• Εάν δεν τηρηθεί η ελαχιστή απόσταση, τα υπερθερμαίνονται. Οι επιφανείες των λαμπτήρων μπορεί να θερμάνονται.

• Εάν το εξωτερικό καλώδιο τροφοδοσίας του φωτιστικού δεν μπορεί να αντικατασταθεί, το φωτιστικό πρέπει να αποσπαστεί σε περίπτωση ελαττωματικού ή κατεστραμένου καλωδίου τροφοδοσίας.

ΣΤΑΘΕΡΟ

• Η εγκατάσταση και η συντήρηση του προϊόντος πρέπει να πραγματοποιείται από εξειδικευμένο ηλεκτρολόγο.

• Οι ηλεκτρικές εγκαταστάσεις επιτρέπεται να πραγματοποιούνται μόνο σύμφωνα με τους κανονισμούς ασφαλείας (VDE 0100 για τη Γερμανία).

• Για τη σύνδεση πρέπει να χρησιμοποιείται καλώδιο σύνδεσης με πιστοποίηση VDE.

• Το προϊόν πρέπει να είναι κατάλληλα γειωμένο (για την κατηγορία προστασίας I).

• Πριν από την εγκατάσταση πρέπει πάντα να διακόπτεται την παροχή ρεύματος - προσηύχθη ηλεκτροπληξία.

• Τηρείτε τα συνιστώμενα ύψη τοποθέτησης (βλ. Τοποθέτηση).

• Για να αποφευχθεί ο κίνδυνος τραυματισμού, το κύκλωμα καλώδιο που συνδέονται με αυτό το φως πρέπει να είναι στεφανωμένο στον τοίχο, με την προϋπόθεση ότι το καλώδιο είναι σε αβίαση των μέρων και οι το φως είναι σταθερά τοποθετημένο στον τοίχο.

ΚΙΝΗΤΟ / ΜΠΑΤΑΡΙΑ **Κίνδυνος τραυματισμού από παγκράτι, έκρηξη και χημικά εγκαύματα!**

• Χρησιμοποιείτε μόνο τον παρεχόμενο προσαρμογέα / καλώδιο δικτύου ή μια εκκενρωμένη πηγή ρεύματος USB για τη φόρτιση της μπαταρίας.

• Η χρήση άλλων τροφοδοτικών μπορεί να προκαλέσει βλάβη στις μπαταρίες ή έκρηξη!

• Εάν το κομμάτι σύνδεσης έχει υποστεί ζημιά, πρέπει να αντικατασταθεί από εξειδικευμένο προσωπικό.

• Μην αποθηκεύετε ή φορτίζετε τις μπαταρίες σε εξωτερικούς χώρους, σε ημερήσιους ή σε μέρη όπου αναμένεται πολύ υψηλές θερμοκρασίες (π.χ. σε υπόγειο κήρυο ή πίσω από το παρμπρίζ αυτοκινήτου).

• Η βλάβη εκκρότησης, η ακατάλληλη φόρτιση και η μηχανική βλάβη μπορεί να προκαλέσουν τη θέρμανση των μπαταριών

τόνους κίνδυνο. Η διαφυγή πύριν και σπινών μπορεί να προκαλέσει τραυματισμούς λόγω εγκαυμάτων.

• Απορρίψτε τη βλάβη εκκρότησης. Απορρίψτε τη μπαταρία από τη συσκευή εάν δεν πρόκειται να χρησιμοποιηθεί για μεγάλο χρονικό διάστημα.

• Μην βραχυκυκλώνετε τις μπαταρίες.

• Μην εκθέτετε ποτέ τις μπαταρίες σε θερμοκρασίες άνω των 45 °C!

• Φορτίζετε τις μπαταρίες μόνο με τον εγκατεστημένο φορτιστή.

• Μην φορτίζετε ποτέ τις μπαταρίες χωρίς επίβλεψη.

• Ελέγχετε τις μπαταρίες οπτικά για ζημιές και διογκώσεις. Φορτίζετε μόνο αβίασες και αβίασες μπαταρίες. Οι φουσκωμένες και κατεστραμμένες μπαταρίες πρέπει να απορριπτούν κατάλληλα.

• Μην αγνοείτε τις κατασκευασμένες μπαταρίες ασφαλείας με το όνομα σας, αλλά πετάξτε τις αβίασες σωστά χρησιμοποιώντας κατάλληλα γνήσια. Μην εισπνεύστε αέρια που διαφεύγουν από τις μπαταρίες.

• Μην ανοίγετε ή καταστρέψετε τις μπαταρίες, μην τις ρίχνετε στη φωτιά ή στο νερό, μην τις τοποθετείτε απευθείας πάνω από πηγάς υδροφωσ ή θερμότητας και μην τις εκθέτετε ποτέ σε άμεσο ηλιακό φως.

Λάβετε υπόψη τη προειδοποίηση και το σύμβολο που αναγράφονται στο προϊόν σας!

Προσοχή Κίνδυνος από ηλεκτροπληξία.

Καυτή επιφάνεια

LED κατηγορίας κίνδυνου 2 Παρακαλούμε να μην κοπάζετε ποτέ απευθείας στο φως.

Ενα κατεστραμμένο προστατευτικό κάλυμμα πρέπει να αντικατασταθεί από ένα εναλλακτικό προστατευτικό κάλυμμα "Brennenstuhl" πριν από την περαιτέρω χρήση του προϊόντος.

Δεν υπάρχει σύμβολο στο προϊόν: Ενα κατεστραμμένο προστατευτικό κάλυμμα δεν μπορεί να αντικατασταθεί. Το προϊόν πρέπει να απορριπθεί.

Δεν είναι κατάλληλο για λειτουργία σε εξωτερικούς χώρους.

Τηρείτε την ελαχιστή απόσταση.

Μην φιλιάξτε ποτέ μακριά από παιδιά.

Μην ρίχνετε το προϊόν στο νερό.

Μην πετάτε το προϊόν στη φωτιά.

Διαβάστε τις προειδοποιήσεις.

ΚΑΘΑΡΙΣΜΟΣ Αποσυνδέστε το προϊόν από την τήρη δικτύου πριν από τον καθαρισμό.

Μην χρησιμοποιείτε διαλύτες, διαβρωτικά καθαριστικά ή παρόμοια. Χρησιμοποιήστε μόνο ένα στεγνό ή ελαφρώς υγρό πανί για τον καθαρισμό.

ΣΥΝΤΗΡΗΣΗ ΠΡΟΣΟΧΗ: το φωτιστικό LED δεν περιέχει εξαρτήματα που απαιτούν συντήρηση. Η μηή φωτός αυτού του φωτιστικού δεν μπορεί να αντικατασταθεί. Όταν η μηή φωτός φτάσει στο τέλος της ζωής της, αντικαταστήστε ολόκληρο το φωτιστικό. Μην ανοίγετε το φωτιστικό σώμα.

ΑΠΟΡΡΙΨΗ **Απορρίψτε τις ηλεκτρικές συσκευές με τρόπο φιλικό προς το περιβάλλον!**

• Οι ηλεκτρικές συσκευές δεν πρέπει να απορριπτούν στα οικιακά απορριμμάτα!

• Η ευρωπαϊκή οδηγία 2012/19/ΕΕ για το απόβλητο ηλεκτρικού και ηλεκτρονικού εξοπλισμού ορίζει ότι οι χρησιμοποιούμενες ηλεκτρικές συσκευές πρέπει να συλλέγονται χωριστά και να ανακυκλώνονται με τρόπο φιλικό προς το περιβάλλον.

Για τις δυνατότητες απόρριψης της χρησιμοποιούμενης συσκευής, επικοινωνήστε με την τοπική ή δημοτική σας διοίκηση.

Για περισσότερες πληροφορίες, ανατρέξτε στην ενότητα Service/FAQ στην αρχική μας σελίδα www.brennenstuhl.com.

PT INSTRUÇÕES DE SEGURANÇA

LED **Atenção:** Antes de utilizar o produto, leia atentamente estas instruções de utilização e depois guarde-as num local seguro!

• Antes de cada utilização, verifique o produto para detectar quaisquer danos.

Nunca utilizar o produto se notar qualquer dano. Neste caso, contacte um electricista qualificado ou o endereço de serviço do fabricante.

• Não observância pode resultar em perigo de vida devido a choque eléctrico!

• Mantenha as crianças afastadas do produto. As crianças não podem avaliar o perigo representado pela corrente eléctrica.

• Não utilize o produto num ambiente explosivo, perigo de vida!

• **0.2 m** Se a distância mínima não for mantida, os objetos iluminados podem sobreaquecer.

• Se o cabo de alimentação exterior da luminária não puder ser substituído, a luminária deve ser eliminada no caso de um cabo de alimentação defeituoso ou danificado.

ESTACIONÁRIO

• A instalação e manutenção do produto deve ser efectuada por um electricista qualificado.

• As instalações eléctricas só podem ser efectuadas em conformidade com as normas de segurança (VDE 0100 para a Alemanha).

• Para a ligação, deve ser utilizado um cabo de ligação certificado pela VDE.

• O produto deve ser devidamente ligado à terra (para a classe de protecção II).

• Desligar sempre a fonte de alimentação antes da instalação - cuidadoso com o choque eléctrico.

• Observar as alturas de montagem recomendadas (ver Montagem).

• Para evitar o risco de estrangulamento, os cabos flexíveis ligados a este candeeiro devem ser fixados à parede, desde que os cabos estejam ao alcance dos braços e que o holofote esteja firmemente montado na parede.

MÓVEL / BATERIA

Perigo de incêndio, explosão e queimaduras químicas!

• Utilizar apenas o adaptador / cabo de rede fornecido ou uma fonte de alimentação USB aprovada para carregar as baterias.

• A utilização de outras fontes de alimentação pode danificar as baterias ou causar uma explosão!

• Se a caixa de ligação for danificada, deve ser substituída por um especialista qualificado.

• Não guarde nem carregue as baterias ao ar livre, em compartimentos húmidos ou em locais onde sejam de esperar temperaturas muito elevadas (por exemplo, num telheiro de jardim ou atrás do para-brisas de um automóvel).

• Descargas profundas, carregamento incorreto e danos mecânicos podem provocar o aquecimento das baterias de Iões de lítio. A libertação de líquidos e vapores pode causar ferimentos devido a queimaduras.

• Evite descargas profundas. Retire a bateria do aparelho se não for utilizada à durante um longo período de tempo.

• Não provoque curto-circuito nas pilhas.

• Nunca excrete as baterias a temperaturas superiores a 45 °C!

• Carregar as pilhas apenas com o carregador aprovado. Nunca carregar as pilhas sem vigilância.

• Verificar visualmente as pilhas quanto a danos e fugas. Carregar apenas baterias intactas e não danificadas. As baterias inflamáveis e danificadas devem ser eliminadas correctamente.

• Não toque nas baterias danificadas directamente com a sua pele, mas elimine-as imediatamente de forma adequada utilizando luvas apropriadas. Não inalar os gases que saem das pilhas.

• Não abra ou danifique as pilhas, não as atire para o fogo ou para a água, não as coloque directamente sobre fontes de humidade ou calor e nunca as exponha à luz solar directa.

• Observe os avisos e símbolos no seu produto!

Cuidado! Perigo devido a choque eléctrico.

Superfície quente

LED de classe de risco 2 Por favor, nunca olhe directamente para a luz.

Uma cobertura protectora destruída deve ser substituída por uma cobertura protectora "Brennenstuhl" original antes de se continuar a utilizar o produto.

Nenhum símbolo no produto: Uma cobertura de protecção destruída não pode ser substituída. O produto deve ser eliminado.

Não é adequado para funcionamento com dimmers externos.

0.2 m Observar a distância mínima.

Mantenha as crianças afastadas do produto.

Não detar o produto na água.

Não detar o produto no fogo.

Ler os avisos.

LIMPEZA

Desligar o produto da tensão da rede antes da limpeza.

Não utilizar solventes, agentes de limpeza corrosivos ou similares. Utilizar apenas um pano seco ou ligeiramente humedecido para limpeza.

MANUTENÇÃO

ATENÇÃO: A luminária LED não contém quaisquer componentes que necessitem de manutenção. A fonte de luz desta luminária não é substituível. Quando a fonte de luz atingir o seu fim de vida, substitua toda a luminária. Não abra a luminária.

DECLARAÇÃO DE CONFORMIDADE UE

A declaração de conformidade é depositada junto do fabricante.

brennenstuhl®

SB BEZPEČNOSTNÉ POKYNY

- Pozor:** Pred použitím výrobku si pozorne prečítajte tento návod na použitie a potom ho uložte na bezpečné miesto.
- Pred každým vykonaním údržby výrobok, či nie je poškodený. Nikdy výrobok nepoužívajte, ak spozorujete akékoľvek poškodenie. V takom prípade sa obráťte na kvalifikovaného poškodenia alebo na servisnú adresu výrobku.
- V prípade neodržania môže dôjsť k ohrozeniu života v nesúladu úrazu elektrickým prúdom!**
- Drzte deti mimo dosahu výrobku. Deti nedokážu posúdiť nebezpečenstvo, ktoré predstavuje elektrický prúd.
- Výrobok nepoužívajte vo výbušnom prostredí, nebezpečenstvo ohrozenia života!
- Ak sa nedodrží minimálna vzdialenosť, osvetlenie predmetu sa môže prehrievať.
- Povrchy lampa sa môžu zahriať.
- Ak nie je možné vymeniť vonkajší napájací kábel svietidla, v prípade chybného alebo poškodeného napájacieho kábla sa musí svietidlo zlikvidovať.

STACIONÁRNE

- Instaláciu a údržbu výrobku musí vykonávať kvalifikovaný elektrikár.
- Elektrické inštalácie sa môžu vykonávať len v súlade s bezpečnostnými predpismi (VDE 0100 pre Nemecko).
- Na pripojenie sa musí použiť pripojovací kábel s certifikátom VDE.
- Výrobok musí byť náde uzemnený (pre triedu ochrany I).
- Pred inštaláciou vždy vypnite napájanie - pozor na úraz elektrickým prúdom!
- Dozriavajte odporúčané montážne výšky (pozri časť Montáž).
- Aby sa predišlo riziku uschnutia, flexibilné káble pripojené k tomuto svietidlu musia byť pripojené k stene za predpokladu, že káble sú v dosahu ramena a svietidlo je pevne namontované na stene.

MOBILNÝ / BATÉRIA

Nebezpečenstvo zranenia v dôsledku požiaru, výbuchu a chemických popálení!

- Na nabíjanie batérie používajte len dodaný sieťový adapter / kábel alebo schválený zdroj napájania USB. Použitie iných zdrojov napájania môže poškodiť batérie alebo spôsobiť výbuch!
- Ak je pripojná štruktúra poškodená, musí ju vymeniť kvalifikovaný odborník.
- Batérie neskladujte ani nenabíjajte vonku, vo vlhkých miestnostiach alebo na miestach, kde sa očakávajú veľmi vysoké teploty (napr. v záhradnom prístrešku alebo za čelným sklom v aute).
- Hlboké vybitie, nesprávne nabíjanie a mechanické poškodenie môžu spôsobiť zahratie lítium-iónových batérií. Unikajúce kvapaliny a výpary môžu spôsobiť poranenia v dôsledku popálenín.
- Vyhnete sa hlbokému vybitiu. Ak sa batéria nebudie dýchať čas používajú, vyberte ju zo zariadenia.
- Batérie nevychádzajte náhliko.
- Batérie nikdy nevystavujte teplotám nad 45 °C!
- Batérie nabíjajte len pomocou schválenej nabíjačky. Batérie nikdy nenabíjajte bez dozoru.
- Batérie vizuálne kontrolujte, či nie sú poškodené a či z nich netečie voda. Nabíjajte len nepoškodené a nepoškodené batérie. Napuštene a poškodené batérie sa musia riadne zlikvidovať.
- Poškodených batérií sa nedotýkajte priamo pokožkou, ale ihneď ich riadne zlikvidujte pomocou vhodných rukavíc. Nevychádzajte plyny unikajúce z batérií.
- Batérie neovrhujte ani nepokladujte, nevhádzajte ich do ohňa alebo vody, neumiestňujte ich priamo nad zdroje vlhkosti alebo tepla a nikdy ich nevystavujte priamo slnečnému žiareniu.

Dozriavajte upozornenia a symboly na výrobku!

	Pozor! Nebezpečenstvo úrazu elektrickým prúdom.
	Horiaci povrch
	LED dioda triedy rizika 2 Nikdy sa nepozerať priamo do svetla.
	Začlenený ochranný kryt sa musí pred ďalším používaním reflektora nahradiť originálnym ochranným krytom Brennenstuhl®!
	Na výrobku sa nenachádza žiadny symbol: Začlenený ochranný kryt nie je možné vymeniť. Výrobok sa musí zlikvidovať.

	Nie je vhodný na prevádzku v externých miestnostiach.
	Dodržujte minimálnu vzdialenosť.
	Uchovávať mimo dosahu detí.
	Výrobok nevhadzujte do vody.
	Nevhadzujte výrobok do ohňa.
	Prečítajte si upozornenia.

ČISTENIE

Pred čistením odpojte výrobok od elektrickej siete. Nepoužívajte napájacie, korozívne čistiace prostriedky a podobne. Na čistenie používajte len suchú alebo mierne vlhkú handričku.

ÚDRŽBA

POZOR: LED svietidlo neobsahuje žiadne komponenty, ktoré by si vyžadovali údržbu. Svetelný zdroj tohto svietidla nie je možné vymeniť. Keď sa životnosť svetelnej zdroja skončí, vymeňte celé svietidlo. Svietidlo neovrhujte.

CE VÝHLASENIE O ZHODE Ú

Výhlásenie o zhode je uložené u výrobcu.

ODSTRÁNENIE

Elektrické spotrebiče likvidujte spôsobom šetrným k životnému prostrediu!
Elektrické spotrebiče sa nesmú vyhadzovať do domového odpadu!
Európska smernica 2012/19/EÚ o odpade z elektrických a elektronických zariadení predpisuje, že použité elektrické spotrebiče by sa mali zbierať oddelene a recyklovať ekologickým spôsobom. O možnostiach likvidácie použitého spotrebiča sa informujte na miestnom alebo obecnom úrade.
Ďalšie informácie nájdete v sekcii Service/Dotazníky na našej domovej stránke www.brennenstuhl.com.

SI VARNOSTNA NAVODILA

- Pozornost:** Pred uporabo izdelka natančno preberite ta navodila za uporabo in jih shranite na varnem mestu.
- Pred vsako uporabo preverite, ali je izdelek poškodovan. Izdelka nikoli ne uporabljajte, če opazite kakršne koli poškodbe.
- V tem primeru se obrnite na usposobljenega električarja ali na proizvajalcev servisni naslov.
- Neupoštevanje lahko povzroči nevarnost za življenje zaradi električnega udara!**
- Otrokom prepričajte dostop do izdelka. Otroci ne morejo oceniti nevarnosti, ki jo predstavlja električni tok.
- Izdelka ne uporabljajte v eksplozivnem okolju, nevarnost za življenje!
- Če ne upoštevate najmanjše razdalje, se lahko osvetljeni predmeti prehrijejo.
- Površine svetilk se lahko segejejo.
- Če zunanjsega napajalnega kábla svetilke ni mogoče zamenjati, je treba svetilko v primeru okvarjenega ali poškodovanega napajalnega kábla zaveč.

NEPREMIČNI

- Namestitev in vzdrževanje izdelka mora opraviti usposobljen električar.
- Električne inštalacije se lahko izvajajo le v skladu z varnostnimi predpisi (VDE 0100 za Nemčijo).
- Za povezavo je treba uporabiti priključni kábel s certifikátom VDE.
- Izdelek mora biti ustrezno ozemljen (za zaščitni razred I).
- Pred namestitvijo vedno izklopite električno napajanje - prevodnost pred električnim udarom.
- Upoštevajte priporočene višine montaže (glejte poglavje Montaža).
- Do bi se zagnali nevarnosti zadetjete, je treba globljuje káble, priključene na to svetilko, pritrditi na steno, če so kabli na dosogu rok in je svetilka trdno pritrjena na steno.

MOBILNI / BATERIJA

- Nevarnost poškodb zaradi požara, eksplozije in keminih opeklin!**
- Za polnjenje baterij uporabljajte samo priloženi omezní napajalnik/kábel ali odobren vir napajanja USB.
- Uporaba drugih virov napajanja lahko poškoduje batérie ali povzroči eksplozijo!
- Če je priključna omara poškodovana, jo mora zamenjati usposobljen strokovnjak.
- Batérie ni shranjajte ali palnite na prostem, v vlažnih prostorih ali na mestih, kjer je pričakovano zelo visoke temperature (npr. v vrti koli ali za vetrobranskim steklom v avtomobilu).

- Globoko praznjenje, nepravilno polnjenje in mehanske poškodbe lahko povzročijo segrevanje litij-ionskih baterij. Izstopajoče tekočine in hlapi lahko povzročijo poškodbe zaradi opeklin.
- Izogibajte se globokemu praznjenju: Če batérie daji časa ne boste uporabljali, jo odstranite iz naprave.
- Ne izvajajte kratkega stika med batérijami.
- Nikoli ne zapostavljajte batérie pri temperaturah nad 45 °C!
- Batérie polnite samo z odobrenim polnilnikom. Batérie nikoli ne polnite brez nadzora.
- Vizualno preverite batérie glede poškodb in puščanja. Polnite samo nepoškodovane in nepoškodovane batérie. Napolnjene in poškodovane batérie je treba ustrezno odstraniti.
- Poškodovanih batérií se ne dotikajte neposredno s kožo, temveč jih takoj ustrezno odstranite s uporabo ustreznih rokavic. Ne vdihavajte plinov, ki izhajajo iz batérie.
- Batérie ne odpirajte ali poškodujte, ne mečite jih v ogenj ali vodo, ne postavljajte jih neposredno nad vire vlage ali toplote in jih nikoli ne izpostavljajte neposredni sočni svetlobi.

Upoštevajte opozorila in simbole na izdelku!

	Opozorilo! Nevarnost zaradi električnega udara.
	Vroča površina
	Svetlobna dioda razreda nevarnosti 2 Nikoli ne glejte neposredno v svetlobo.
	Užiten zažlitni pokrov je treba pred nadaljnjo uporabo reflektora zamenjati z originalnim zaščitnim pokrovom Brennenstuhl®!
	Na izdelku ni simbola: Užigovanje zažlitnega pokrova ni mogoče zamenjati. Izdelek je treba odstraniti.
	Ni primerno za delovanje z zunanjim zavrženim.
	Upoštevajte najmanjšo razdaljo.
	Hranite zunaj dosega otrok.
	Izdelka ne mečite v vodo.
	Izdelka ne odlagajte v ogenj.
	Preberite opozorila.

ČIŠČENJE

Pred čiščenjem izdelek izklopite iz električnega omrežja. Ne uporabljajte toplo, jedkih čistilnih sredstev ali podobnih sredstev. Za čiščenje uporabljajte le suho ali rahlo vlažno krp.

VZDRŽEVANJE

POZOR: Svetilka LED ne vsebuje sestavnih delov, ki bi jih bilo treba vzdrževati. Svetelbnega vira te svetilke ni mogoče zamenjati. Ko se življenjska doba svetelbnega vira izteče, zamenjajte celotno svetilko. Svetilke ne odpirajte.



CE IZJAVA EU O SKLADNOSTI

Izjava o skladnosti je shranjena pri proizvajalcu.

ODSTRANITEV

- Električne naprave odstranite na okolju prijazen način!**
- Električnih naprav ne smete odlagati med gospodinjinske odpadke!**
Evropska direktiva 2012/19/EU o odpadni električni in elektronski opremi določa, da je treba izrabljene električne naprave zbirati ločeno in jih reciklirati na okolju prijazen način.
- Glede možnosti odstranjanja izrabljenega aparata se obrnite na lokalno ali občinsko upravo.
- Dodatne informacije so na voljo v razdelku Service/FAQ na naši spletni strani www.brennenstuhl.com.

LT SAUGOS INSTRUKCIJOS

- Dėmesio:** Prieš naudojant gaminį, atidžiai perskaitykite šią naudojimo instrukciją ir laikykitės jai sąlygių vartojet.
- Prieš kiekvieną naudojimą patikrinkite, ar gaminis nėra pažeistas.
- Niekada nenaudokite gaminio, jei pastebėsite kokių nors pažeidimų. Tokiu atveju kreipkitės į kvalifikuotą elektriką ar gamintojo aptarnavimo tarnybą.
- Nesilaikymas gali sukelti pavojų grybybei dėl elektrikos smūgių!**

- Laikykite vaikus atokiau nuo gaminio. Vaikai negali įvertinti elektros srovės keliamo pavojus.
- Nenaudokite gaminio sprogioje aplinkoje, pavojus grybybei objektai gali perkirsti.
- Jei nesilaikoma mažiausio atstumo, apšviesti objektai gali įkaitėti.
- Švietusiu paviršiai gali įkaitėti.
- Jei švietusio išorinio matavimo kablelo negalima pakeisti, sugedus ar pažeidus matavimo kabelį, švietusiu reikia išmesti.

STACIONARUS

- Gaminio montavimo ir prižiūros darbus turi atlikti kvalifikuotas tas elektrikas.
- Elektrios instaliacija gali būti atlikiama tik laikantis saugos taisyklių (Vokietijoje - VDE 0100).
- Prijungimui turi būti naudojamas VDE sertifikatuos jungiamasis kablelis.
- Gaminys turi būti tinkamai žemintas (į apsaugos klasei).
- Prieš montavimą visada išjunkite matavimo šaltinį - saugokitės elektros smūgiu.
- Laikykites rekomenduojamo montavimo aukščio (žr. „Montavimas“).
- Siekiant išvengti užspringimo pavojaus, prie šio švietusiu prunginti lankstus kabeliai turi būti pritrinoti prie sienos, jei kabeliai yra pasiekiami rankomis, o proektorius tvirtai pritvirtintas prie sienos.

MOBILIS / AKUMULATORIUS

- Gaisro, sprogiuo ir cheminiu nudegimų pavojus!**
- Akumulatoriams (kravuti naudokite tik pridedamą tinklų adapterį / kabeį arba patvirtintą USB matavimo šaltinį.
- Naudojant kitus matavimo šaltinius gali būti pažeisti akumulatori arba įvykti sprogiuo.
- Je įjungiamoji dėžutė pažeista, ją turi pakeisti kvalifikuotas specialistas.
- Nelaukikite ir neįkraukite akumulatorių lauke, drėgnose patalpose arba vietose, kur tikėtina labai aukšta temperatūra (pvz., šono pašilinėje arba už priekinio automobilio stiklo).
- Dei gilaus išsikrovimo, netinkamo žrovimo ir mechaninių pažeidimų kioo jonų akumulatoriai gali įkaitėti. Ištekęje šykštai ir garai gali sužaloti deli naudotojų.
- Venkite gilaus išikrovimo: Išimkite akumulatorių iš prietaiso, jei jis nebus naudojamas ilga laiką.
- Nedarykite trumpojo akumulatorių jungimo.
- Niekada nelaukikite akumulatorių auksėjusienė 45 °C temperatūroje!
- Akumulatorius įkraukite tik pavirtintu įrovniku. Niekada neįkraukite akumulatorių be prietisuros.
- Vizualiai patikrinkite, ar akumulatoriai nėra pažeisti ir ar nėra nuotekio. Įkraukite tik nepažeistus ir nesugadintus akumulatorius (krautus ir pažeistus akumulatorius reikia tinkamai išmesti).
- Nelieskite pažeistų akumulatorių tiesiogiai odi, bet nedėsdami juos tinkamai išmesti ar naudodami tinkamas prietisras.
- Neįkepkite ir akumulatorių išsikimintų dujų.
- Neatidarykite ir nepažeiskite akumulatorių, nemeskite jų į ugnį ar vandenį, netaisykite jų tiesiai virš degmens ar karščio šaltinių ir niekada nelaukikite jų tiesioginioo saules spinduliuose.

Laikykites ant gaminio esančių išpėjimų ir simbolių!

	Išpėjimas! Pavojus deli elektros smugio.
	Karštas pavilšius
	2 pavojaus klasės švietos diodas Niekada neliekkite tiesiai į švietę.
	Prieš toliau naudojant proektoriu, sunaikintą apsauginį dangtelį būtina pakeisti originaliu Brennenstuhl® apsauginiu dangteliu.
	Ant gaminio nėra jokio simbolo: Sunaikinta apsauginis dangtelis negali būti pakeistas. Gaminys turi būti sunaikintas.
	Netinka naudoti su išoriniais regultoriais.
	Laikykites minimalaus atstumo.
	Laikykites vaikams nepasiekiamoje vietoje.
	Nemeskite produkto į vandenį.
	Nesimeskite produkto į ugnį.
	Perskaitykite išpėjimus.

VALYMAS

Prieš valydami atjunkite gaminį nuo elektros tinklo. Nenaudokite triplikų, korozinių valymo priemonių ar pan. Valymui naudokite tik sausą arba šiek tiek drėgną šluostę.

PIEŽIŪRA

DĖMESIO: LED švietusiu nėra jokiu sudedamųjų dalių, kurias reikėtų prižiūrėti. Šio švietusiu švietos šaltinis nekeičiamas. Pasibaigus švietos šaltinio eksploataavimo laikui, pakeiskite visą švietusiu. Neatidarykite švietusiu.



ES ATITIKTIES DEKLARACIJA

Atitikties deklaracija deponuota pas gamintoją.

ISMETIMAS

- Elektrios prietaisus šalinkite aplinkai nekenksmingu būdu!**
- Elektrios prietaisų negalima išmesti į buitines atliekas!**
Europos direktiva 2012/19/ES deli elektrios ir elektrones atliekų reglamentuoja, kad panaudoti elektrios prietaisai turi būti surinkami atskirai ir perdirbami aplinkai nekenksmingu būdu. Del panaudoto prietaiso utilizavimo galimybių kreipkitės į vietos arba savivaldybes administraciją.
- Daugiau informacijos rasite mūsų tinklalapyje www.brennenstuhl.com skiltyje „Pasiaugos / klausimai“.

IV DROŠIBAS INSTRUKCIJAS

- Užmanibus!** Pirms izstrādājuma lietošanas rūpīgi izlasiet lietošanas instrukciju un pēc tam uzglabāiet to droša vietā!
- Pirms katras lietošanas reizes pārbaudiet, vai izstrādājums nav bojāts.
- Nekad nelietojiet izstrādājumu, ja pamanāt jebkādu bojājumu. Šādā gadījumā sazinieties ar kvalificētu elektrīku vai ražotāja servisa adresi.

To neievērošana var izraisīt dzīvības apdraudējumu elektriskās strāvas trieciena dēļ!
- Aizslēdziet tērpus no izstrādājuma. Bērni nespēj novērtēt elektriskās strāvas radītās briesmas.
- Nelietojiet izstrādājumu sprādzienbīstamā vietē, apdraudot dzīvību!

Ja netiek ievēroti minimālais attālums, izgaismotie objekti var pārkarst.

Ja gaismekļa ārējo barošanas kabeli nav iespējams nomainīt, bojāta vai bojāta barošanas kabeļa gadījumā gaismeklis ir jāiznīcina.

STACIONĀRS

- Izstrādājuma uzstādīšana un apkope jāveic kvalificētiem elektrīkiem.
- Elektroniskajās drīkst veikt tikai saskāyā ar drošības noteikumiem (VDE 0100) ietīciami.
- Savienošana jāizmanto VDE sertificētiem savienojuma kabeļiem.
- Izstrādājuma jābūt pareizi iezemētam (I aizsardzības klasei).
- Pirms uzstādīšanas vienmēr izslēdziet strāvas padevi - jāuzmanās no nosmasnāras kabeļa, elastīgie kabeļi, kas savienoti ar šo lukturi, jāpiestiprina pie sienas, ja kabeļi ir roku sasniedzamā un proektoris ir stingri piestiprināts pie sienas.

MOBILS / AKUMULATORIUS

Unguns, sprādzieni un ķīmisku apdegumu risks!

- Akumulatoru uzlādei izmantojiet tikai komplektā iekļauto elektriskā adapteri / kabeļi vai apstiprinātu USB barošanas avotu.
- Citu barošanas avotu izmantošana var sabojāt akumulatorus vai izraisīt sprādzienus!
- Ja sadalās kārba ir bojāta, tā jānomaina kvalificētiem specialistam.
- Neuzglabāiet vai neuzlādējiet akumulatorus ārā, mitrās telpās vai vietās, kur gaidāms ļoti augsta temperatūra (piemēram, dārzā šķirni vai aiz automašīnas veltīcikli).
- Drīzā izlāde, nepareiza uzlāde un mehāniskā bojājumi var izraisīt lielu jonu akumulatoru sākumus. Izbēdziet šķidrumu un tvaiku var izraisīt apdegumus.
- Izvairieties no dzilas izlādes: Izņemiet akumulatorus no ierices, ja tā ilgstoši neizmantojiet.
- Neizlādējiet akumulatorus īssavienojumā.
- Nekad nepakaujiet akumulatorus temperatūrā virs 45 °C!
- Uzlādējiet akumulatorus tikai ar apstiprinātu lādētāju. Nekad neuzlādējiet batērijas bez uzraudzības.
- Vizuali pārbaudiet, vai akumulatori nav bojāti un nav nopildīti. Uzslēdziet tikai un nebojātas akumulatoru batērijas. Izslēdziet un bojātas akumulatoru tvertnes ir parezi jāiznīcina.
- Nepieskārieties bojātiem akumulatoriem tieši ar ādu, bet nekavējoties tos pienācīgi izmetiet, izmantojot piemērotus cimdus. Neievada no akumulatoriem izdalījusies gāzes.
- Neatveriet un nebojāiet akumulatorus, nemetiet tos uguni vai ūdenī, nenovietojiet tos tieši virs mitruma vai karstuma avotiem un nekad nepakaujiet tiem pašus saules stariem.

Ievērojiet brīdinājumus un simbolus uz izstrādājuma!

	Uzmanibus! Bistamba elektriskās strāvas trieciena dēļ.
	Karsta virsma
	2. bistambas klases gaismas diode Niekad neliekkites tieši gaismā.
	Pirms tālākas proektorā lietošanas bojātas aizsargkrītni jāizslēdz ar oriģinālu Brennenstuhl® aizsargkrīcni.
	Uz izstrādājuma nav simbola: Bojāta aizsargkrīcni never nomainīt. Izstrādājums ir jāiznīcina.
	Nav piemērots darbam ar atvērtiem diametriem.
	Ievērot minimālo attālumu.
	Uzglabāt bērniem nepieejamā vietā.
	Neizmetiet produkta iedni.
	Neizmetiet produkta uguni.
	Izlasiet brīdinājumus.

TRĪRŠANA

Pirms trīršanas atvienojiet izstrādājumu no elektrotīcra. Nelietojiet trīršanas šķīdinātājus, kodīgus trīršanas līdzekļus vai tamlīdzīgus līdzekļus. Trīršanā izmantojiet tikai sausu vai nedaudz mitru drāzēni.

UZTURĒŠANA

UZMANĪBU: LED gaismekļiem nav sastāvdaļu, kurām nepieciešama apkope. Si gaismekļa gaismas avots nav nomaināms. Kad gaismas avota kalpošanas laiks ir beidzies, nomainiet visu gaismekli. Neatveriet gaismekli.



CE ATBILSTĪBAS DEKLARĀCIJA

Atbilstības deklarācija ir deponēta pie ražotāja.

IZVADĀŠANA

Izmetiet elektroieries viedēi draudzīgā veidā!

Elektriskās ierices nedrīkst sadzīves atkritumiem!
Europas Direktīva 2012/19/ES par elektrisko un elektronisko iekārtu atkritumiem nosaka, ka nolietotās elektroierices jāveic atsevišķi un jānodrošina ar atbilstošiem viedā. Par lietotās ierices utilizāciju iespējams sazināties ar vietējo vai pašvaldības administrāciju.

Šikāmu informāciju skatiet mūsu mājaslapas www.brennenstuhl.com sadaļā „Pakalpojums / Jautājumi“.

HD SIGURNOSNE UPUTE

- Pažņa:** Prie uporabe proizvoda pažljivo pročitate ove upute za uporabu i potom ih čuvajte na sigurnom mjestu!
- Prije svake uporabe provjerite ima li na proizvodu oštećenja.
- Nikada nemojte koristiti proizvod ako primijetite bilo kakvo oštećenje. U tom slučaju kontaktirajte kvalificiranu električara ili servisnu adresu proizvođača.

Nepripravljena može dovesti do opasnosti po život uslijed strujnog udara!

Držite dječje podalje od proizvoda. Djece ne mogu procijeniti opasnost od električne struje.

Ne koristite proizvod u eksplozivnom okruženju, opasnost po život!

Ako se minimalna udaljenost ne održava, osvijetljeni objekti se mogu prežgati.

Ako se vanjska linija napajanja razvijetnog tijela ne može zamijeniti, razvijetno tijelo se mora zbrinuti u slučaju neispravnog ili oštećenog voda napajanja.

STACIONAR

- Postavljanje i održavanje reflektora mora obavljati kvalificirani električar.
- Električne instalacije smiju se izvoditi samo u skladu sa sigurnosnim propisima (VDE 0100 za Njemačku).
- Za povezivanje se mora koristiti VDE-certificirani spojni kabeļi.
- Reflektor mora biti ispravno uzemljen (za klasu zaštite I).
- Prije instalacije uvijek isključite napajanje - opez od strujnog udara.
- Prizriavajte se preporučeniim visina uprđaje (vidi Montaža).
- Kako bi se ubjegao rizik od davljenja, fleksibilni kabeļi spojeni na ovu svjetiljku moraju biti pričvršćeni na zid, pod vjetojem da su kabeļi na dohvatu ruke i da je svjetiljka čvrsto postavljena na zid.

MOBILNI / PUNJIVA BATERIJA

Opasnost od ožđenja od požara, eksplozije i kemijskih opekotina!

Za punjenje baterija koristite samo isporučene mrežni adapter/ kabele ili odobreni USB izvor napajanja. Koristite drugih izvora napajanja može oštetiti baterije ili izazvati eksploziju!

Ako je priključna kutija oštećena, mora je zamijeniti kvalificirani stručnjak.

Nemojte skladištiti i puniti baterije na otvorenom, u vlažnim prostorijama ili na mestima gdje se očekuju visoke temperature (npr. u vrtnoj kuci ili za vjetrobranskog stakla u automobilu).

Duboko pražnjenje, nepravilno punjenje i mehanička oštećenja mogu uzrokovati zapaljivanje Li-ion baterija. Tekućine i pare koje izlaze mogu uzrokovati ožđenje uslijed opekotina.

Izbjegavajte duboko pražnjenje: tvrdite bateriju iz uređaja ako ga nećete koristiti dulje vrijeme.

Nemojte kratko spojati baterije. Nipuhane i oštećene punjive baterije mogu se zapaliti iznad 45 °C.

Punite punjive baterije samo s punjačem odobrenim za ovu namjenu. Nikada nemojte puniti baterije bez nadzora.

Vizualno provjerite imal i na baterijama oštećenja i curenja. Punite samo netaknute i neoštećene baterije. Napuhane i oštećene baterije ne dopuštite izravno kućnom, nego ih odmah propisno odložite koristeći prikladne rukavice. Nemojte udariti plinovne koji izlaze iz baterija.

Nemojte otvarati niti oštećivati baterije, bacati ih u vodu ili vodu, stavljati ih izravno iznad izvora vlage ili topline i nikada ih ne izlagati izravnoj sunčevoj svjetlosti.

Pridržavajte se upozorenja i simbola na svom proizvodu!

	Oprez Opasnost od svornog udara.
	Vruća površina
	LED klase rizika 2 Nikada nemojte gledati izravno u svjetlo.
	Nema simbola na proizvodu: Umještan zaštitni poklopac mora se zamijeniti originalnim Brennenstuhl® zaštitnim omotom prije daljnje uporabe proizvoda.
	Nije prikladno za rad s vanjskim priključnicama.
	Pridržavajte se minimalne udaljenosti.
	Čuvati izvan dohvata djece.
	Nemojte bacati proizvod u vodu.
	Ne bacajte proizvod u vatru.
	Pročitajte upozorenja.

ČIŠĆENJE

Isključite proizvod iz mrežnog napajanja prije čišćenja. Ne koristite otapala, korozivna sredstva za čišćenje ili šljoko. Za čišćenje koristite samo suhu ili blago vlažnu krpu.

ODRŽAVANJE

PAŽNJA: LED svjetiljka ne sadrži komponente koje zahtijevaju održavanje. Izvor svjetlosti ove svjetiljke nije zamjenjiv. Kada izvor svjetla dođe do kraja životnog vijeka, zamijenite cijelo razvijeno tijelo. Ne otvarajte razvijeno tijelo.

CE EU-DEKLARACIJA O SUKLADNOSTI

Izjava o sukladnosti pohranjuje se kod proizvođača.

RASPOLAGANJE

Električne uređaje zbrinite na ekološki prihvatljiv način!

Električni uređaji se ne smiju odlagati u kućni otpad!

Evropska Direktiva 2012/19/EU o otpadu električne i elektroničke opreme propisuje da se iskoristeni električni uređaji trebaju skupljati odvojeno i reciklirati na ekološki prihvatljiv način.

Za mogućnosti zbrinjavanja iskoristivog uređaja obratite se lokalnoj ili općinskoj upravi.

Za daljnje informacije pogledajte odjeljak Servis/FAQ na našoj početnoj stranici www.brennenstuhl.com.

RO INSTRUCȚIUNI DE SIGURANȚĂ

Atenție: Înainte de a utiliza produsul, vă rugăm să citiți cu atenție aceste instrucțiuni de utilizare și apoi păstrați-le într-un loc sigur!

Înainte de fiecare utilizare, verificați dacă produsul prezintă deteriorări. Nu utilizați niciodată produsul dacă observați vreo deteriorare. În acest caz, contactați un electrician calificat sau adresa de service a producătorului.

Nerespectarea poate duce la pericol de moarte din cauza scurgerii electrice!

Tineți copiii la distanță de produs. Copiii nu pot evalua pericolul reprezentat de curentul electric.

Nu utilizați produsul într-un mediu exploziv, pericod de moarte!

Dacă nu se respectă distanța minimă, obiectele iluminare se pot supraîncălzi. Suprafețele lampilor se pot încălzi.

În cazul în care cablu de alimentare exterior al corpului de iluminat nu poate fi înlocuit, corpul de iluminat trebuie să fie eliminat în cazul unui cablu de alimentare defect sau deteriorat.

STAȚIONAR

Instalarea și întreținerea produsului trebuie să fie efectuate de un electrician calificat.

Instalajele electrice pot fi efectuate numai în conformitate cu normele de siguranță (VDE 0100 pentru Germania).

Pentru conectare trebuie utilizat un cablu de conectare certificat VDE.

Spotul trebuie să fie pus la pământ în mod corespondent (pentru clasa de protecție).

Întreținere/întreținerea alimentarea cu energie electrică înainte de instalare - atenție la șocuri electrice.

Respectați îndălmiturile de montare recomandate (a se vedea Montaj).

Pentru a evita riscul de strangulare, cablurile flexibile conectate la accesul lampă trebuie fixate de perete, cu condiția ca cablurile să fie la îndemâna brațelor și ca reflectorul să fie bine fixat pe perete.

MOBILĂ / BATERIE REÎNCĂRCABILĂ

Risc de vătămare prin incendiu, explozie și arsuri chimice!

Pentru încărcarea bateriilor, utilizați numai adaptorul de rețea / cablul furnizat sau o sursă de alimentare USB aprobată. Utilizarea altor surse de alimentare poate deteriora bateriile sau provoca o explozie!

În cazul în care cutia de conexiuni este deteriorată, accesul trebuie înlocuit de un specialist calificat.

Nu depozitați sau încărcați bateriile în aer liber, în încăperi umede sau în locuri unde se atinge temperaturi foarte ridicate (de exemplu, într-o magazie de grădină sau în spațiile parthizului unei mașini).

Descărcarea profundă, încărcarea necorespunzătoare și deteriorarea mecanică pot provoca încălzirea bateriilor Li-ion. Lichidele și vapori care se scurg pot provoca lezuni datorate arsurilor.

Evitați descărcarea profundă: Scoateți bateria din dispozitiv dacă acesta nu va fi utilizat pentru o perioadă lungă de timp.

Nu scurtcircuitați bateriile.

Nu expuneți niciodată bateriile la temperaturi de peste 45 °C.

Încărcați bateriile numai cu încărcătorul aprobat. Nu încărcați niciodată bateriile nesupravegheate.

Verificați vizual bateriile pentru a vedea dacă sunt deteriorate sau prezintă scurgeri. Încărcați numai baterii intacte și nedeteriorate. Bateriile umefite și deteriorate trebuie aruncate în mod corespondent.

Nu atingeți bateriile deteriorate direct cu pielea, ci eliminați-le imediat în mod corespondent, folosind mănuși adecvate. Nu inhalați gazele care se scurg din baterii.

Nu deschideți sau deteriorați bateriile, nu le aruncați în foc sau în apă, nu le plasați direct deasupra surselor de umiditate sau de căldură și nu le expuneți niciodată la lumina directă a soarelui.

Respectați avertismentele și simbolurile de pe produs!

Atenție! Pericol din cauza scurgerii electrice.

Suprafața feribte

LED din clasa de risc 2
Vă rugăm să nu priviți niciodată direct în lumini.

Un capac de protecție distrus trebuie înlocuit cu un capac de protecție original Brennenstuhl® înainte de a utiliza produsul în continuare.

Niciun simbol pe produs:
Un capac de protecție distrus nu poate fi înlocuit. Produsul trebuie eliminat.

Nu este potrivit pentru funcționarea cu variatoare externe.

	Respectați distanța minimă.
	A nu se păstra la îndemâna copiilor.
	Nu aruncați produsul în apă.
	Nu aruncați produsul în foc.
	Citiți avertismentele.

CURĂȚARE

Decespați produsul de la tensiunea de rețea înainte de curățare. Nu folosiți solvenți, agenți de curățare corozivi sau similari. Utilizați numai o cârpă uscată sau usor umezită pentru curățare.

ÎNȚEȚINERE

ATENȚIE: corpul de iluminat cu LED nu conține componente care necesită întreținere. Sursa de lumină a acestui corp de iluminat nu poate fi înlocuită. Atunci când sursa de lumină ajunge la sfârșitul duratei de viață, înlocuiți întregul corp de iluminat. Nu deschideți corpul de iluminat.



CE DECLARAȚIE DE CONFORMITATE UE

Declarația de conformitate este depusă la producător.

ELIMINARE

Eliminai aparatele electrice într-un mod ecologic!

Aparatele electrice nu trebuie să fie eliminate la deșeurile menajere!

Direcția europeană 2012/19/UE privind deșeurile de echipamente electrice și electronice prevede că aparatele electrice uzate trebuie eliminate separat și reciclate într-un mod ecologic.

Pentru posibilități de eliminare a aparatului uzat, vă rugăm să contactați administrația locală sau municipală.

Pentru informații suplimentare, vă rugăm să consultați secțiunea Servis/FAQ de pe pagina noastră de pornire www.brennenstuhl.com.

BG ИНСТРУКЦИИ ЗА БЕЗОПАСНОСТ

Внимание: Преди да използвате продукта, моля, прочетете внимателно тези инструкции за употреба и ги съхранявайте на сигурно място!

Преди всяка употреба проверявайте продукта за евентуални повреди. Никога не използвайте продукта, ако забележите някаква повреда. В този случай се обърнете към квалификация електротехник или към сервисния адрес на производителя.

Незапаването на живата енергия може да доведе до опасност за живота вследствие на токов удар!

Плазет децата далеч от продукта. Децата не могат да преценят опасността, която представлява електрическият ток.

Не използвайте продукта във въздухоопасна среда, опасност за живот!

Ако не се спазва минималното разстояние, осветените обекти могат да се нагрят.

Ако външният захранващ кабел на осветителното тяло не може да бъде заменен, осветителното тяло трябва да бъде изхвърлено в случай на дефектен или повреден захранващ кабел.

СТАЦИОНАРЕН

Монтажът и поддръжката на продукта трябва да се извършват от квалификация електротехник.

Електрически инсталации могат да се извършват само в съответствие с максималната температура (VDE 0100 за Германия).

За свързване трябва да се използва сертифициран от VDE свързващ кабел.

Проекторът трябва да бъде правилно вземан (за клас на защита I).

Винаги изключвайте електрозахранването преди монтажа - предпазване от токов удар.

Спазвайте препоръчителните височини за монтаж (вж. Монтаж).

За да се избегне рискът от задушаване, гъвкавите кабели, свързани с тази лампа, трябва да бъдат прикрепени към стената, при условие че кабелите са в обста на ръцете и проекторът е здраво монтиран на стената.

МОБИЛНА / АКУМУЛАТОРНА БАТЕРИЯ

Опасност от нарязване от пожар, експлозия и химически изгаряния!

За зареждане на батериите използвайте само доставения мреков адаптер / кабел или одобрен USB източник на захранване.

Използването на други източници на захранване може да повреди батериите или да предизвика експлозия!

Ако кутията за свързване е повредена, тя трябва да бъде заменена от квалификация специалист.

Не съхранявайте и не зареждайте батериите на открито, във влажни помещения или на места, където се очакват много високи температури (напр. в градски навес или зад предното стъкло на автомобил).

Дълбокото разреждане, неправилното зареждане и механичните повреди могат да доведат до загряване на литиево-йонните батерии. Излъчват се топлина и изпарения могат да причинят изгарявания вследствие на изгаряния.

Избягвайте дълбокото разреждане: Извадете батерията от устройството, ако то няма да се използва дълго време.

Не съхранявайте батериите на температури над 45 °C.

Зареждайте батериите само с одобреното зарядно устройство. Никога не зареждайте батериите без надзор.

Проверявайте визуално батериите за повреди и течове. Зареждайте само непоказани и неповредени батерии. Напомняния и повредени батерии трябва да се изхвърлят по подходящ начин.

Не докосвайте повредените батерии директно с кожата си, а незабавно ги изхвърлете правилно, като използвате подходящи ръкавици. Не вдъшавате газове, които се отделят от батериите.

Не отваряйте и не повреждайте батериите, не ги хвърляйте в огън или вода, не ги поставяйте директно над източници на вала или топлина и никога не ги излагайте на пряка слънчева светлина.

Спазвайте предупрежденията и символите върху вашия продукт!

	Предупреждение! Опасност от поражение от електрически ток.
	Гореща повърхност
	Светодиод от рисков клас 2 Моля, никога не гледайте директно в светлината.
	Учещеният заштитен капак трябва да се замени с оригинален заштитен капак Brennenstuhl® преди по-нататъшна употреба на продукта.
	Няма символ върху продукта: Учещеният заштитен капак не може да бъде заменен. Продуктът трябва да се изхвърли.
	Не е подходящ за работа с външни диаметри.
	Спазвайте минималното разстояние.
	Да се съхранява на място, недостъпно за деца.
	Не хвърляйте продукта във вода.
	Не изхвърляйте продукта в огън.
	Прочетете предупрежденията.

ПОЧИСТВАНЕ

Преди почистване изключете продукта от електрическата мрежа.

Не използвайте разтворители, агресивни почистващи препарати или други подобни. Използвайте само суха или леко влажна кърпа за почистване.

ПОДДРЪЖКА

ВНИМАНИЕ: светодиодното осветително тяло не съдържа компоненти, които да изискват поддръжка. Източникът на светлина на това осветително тяло не може да се замени. Когато светлинният източник достигне края на експлоатационния си срок, сменете цялото осветително тяло.

Не отваряйте осветителното тяло.

CE DEKLARACIJA ZA SŤOTVETSTVIE NA EC

Декларацията за съответствие е депонирана при производителя.

УНИЩОЖАВАНЕ

Изхвърляйте електрически уреди по начин, щадящ околната среда!

Електрически уреди не трябва да се изхвърлят в битовите отпадъци!

Европейската директива 2012/19/EC относно отпадъците от електрическо и електронно оборудване постановява, че използваните електрически уреди трябва да се събират

разделно и да се рециклират по екологосъобразен начин.

За възможностите за изхвърление на използвания уред се обърнете към местната или общинската администрация.

За допълнителна информация, моля, вижте раздела Сервис/ Запитвания на нашата начална страница www.brennenstuhl.com.

DK SIKKERHEDSINSTRUKTIONER

Vær opmærksom: Før du bruger produktet, skal du læse denne brugsanvisning omhyggeligt og opbevare den på et sikkert sted.

Før hver brug skal du kontrollere produktet for skader. Brug aldrig produktet, hvis du opdager en skade. Kontakt i så fald en kvalificeret elektriker eller producentens serviceadresse.

Manglende overholdelse kan medføre livsfare på grund af elektrisk stød!

Hold børn væk fra produktet. Børn kan ikke vurdere den fare, som den elektriske strøm udgør.

Brug ikke produktet i et eksplosivt miljø. Ibruset Overfladerne på produktet kan medføre overophedelse, hvis belyste genstande blive overophedede.

Hvis armaturets ydre strømforsyningsledning ikke kan udskiftes, skal armaturet bortskaffes i tilfælde af en defekt eller beskadiget strømforsyningsledning.

STATIONAR

Installation og vedligeholdelse af spotlight skal udføres af en kvalificeret elektriker.

Elektriske installationer må kun udføres i overensstemmelse med sikkerhedsforskriften (VDE 0100 for Tyskland).

Der skal bruges et VDE-certificeret tilslutningskabel til tilslutningen.

Spotlightingen skal være korrekt forordt (for beskyttelsesklasse I).

Spotlightingen skal være korrekt forordt (for beskyttelsesklasse I).

Spotlightingen skal være korrekt forordt (for beskyttelsesklasse I).

Spotlightingen skal være korrekt forordt (for beskyttelsesklasse I).

Spotlightingen skal være korrekt forordt (for beskyttelsesklasse I).

Spotlightingen skal være korrekt forordt (for beskyttelsesklasse I).

Spotlightingen skal være korrekt forordt (for beskyttelsesklasse I).

Spotlightingen skal være korrekt forordt (for beskyttelsesklasse I).

Spotlightingen skal være korrekt forordt (for beskyttelsesklasse I).

Spotlightingen skal være korrekt forordt (for beskyttelsesklasse I).

Spotlightingen skal være korrekt forordt (for beskyttelsesklasse I).

Spotlightingen skal være korrekt forordt (for beskyttelsesklasse I).

Spotlightingen skal være korrekt forordt (for beskyttelsesklasse I).

Spotlightingen skal være korrekt forordt (for beskyttelsesklasse I).

Spotlightingen skal være korrekt forordt (for beskyttelsesklasse I).

Spotlightingen skal være korrekt forordt (for beskyttelsesklasse I).

Spotlightingen skal være korrekt forordt (for beskyttelsesklasse I).

Spotlightingen skal være korrekt forordt (for beskyttelsesklasse I).

Spotlightingen skal være korrekt forordt (for beskyttelsesklasse I).

Spotlightingen skal være korrekt forordt (for beskyttelsesklasse I).

Spotlightingen skal være korrekt forordt (for beskyttelsesklasse I).

Spotlightingen skal være korrekt forordt (for beskyttelsesklasse I).

Spotlightingen skal være korrekt forordt (for beskyttelsesklasse I).

Spotlightingen skal være korrekt forordt (for beskyttelsesklasse I).

Spotlightingen skal være korrekt forordt (for beskyttelsesklasse I).

Spotlightingen skal være korrekt forordt (for beskyttelsesklasse I).

Spotlightingen skal være korrekt forordt (for beskyttelsesklasse I).

	Overhold minimumsafstanden.
	Opbevares utilgængeligt for børn.
	Smid ikke produktet i vand.
	Smid ikke produktet i ilden.
	Læs advarslerne.

RENGØRING

Altred produktet fra netspændingen før rengøring. Brug ikke opløsningsmidler, ætsende rengøringsmidler eller lignende. Brug kun en tør eller let fugtig klud til rengøring.

VEDLIGEHOLDELSE

OBS: LED-armaturet indeholder ingen komponenter, der kræver vedligeholdelse. Ulyskåden i dette armatur kan ikke udskiftes. Når lyskåden er udfjernet, skal hele armaturet udskiftes. Armaturet må ikke åbnes.

CE EU-EKILÆRING OM OVERENSTEMMELSE

BORTSKAFFELSE

Bortskaf elektriske apparater på en miljøvenlig måde!

Elektriske apparater må ikke smides ud med husholdningsaffaldet!

Det europæiske direktiv 2012/19/EU om affald af elektrisk og elektronisk udstyr bestemmer, at brugte elektriske apparater skal indsamles separat og genbruges på en miljøvenlig måde.

Kontakt din lokale eller kommunale forvaltning for at høre om mulighederne for at bortskaffe det brugte apparat.

For yderligere oplysninger henvises til afsnittet Service/FAQ på vores hjemmeside www.brennenstuhl.com.

